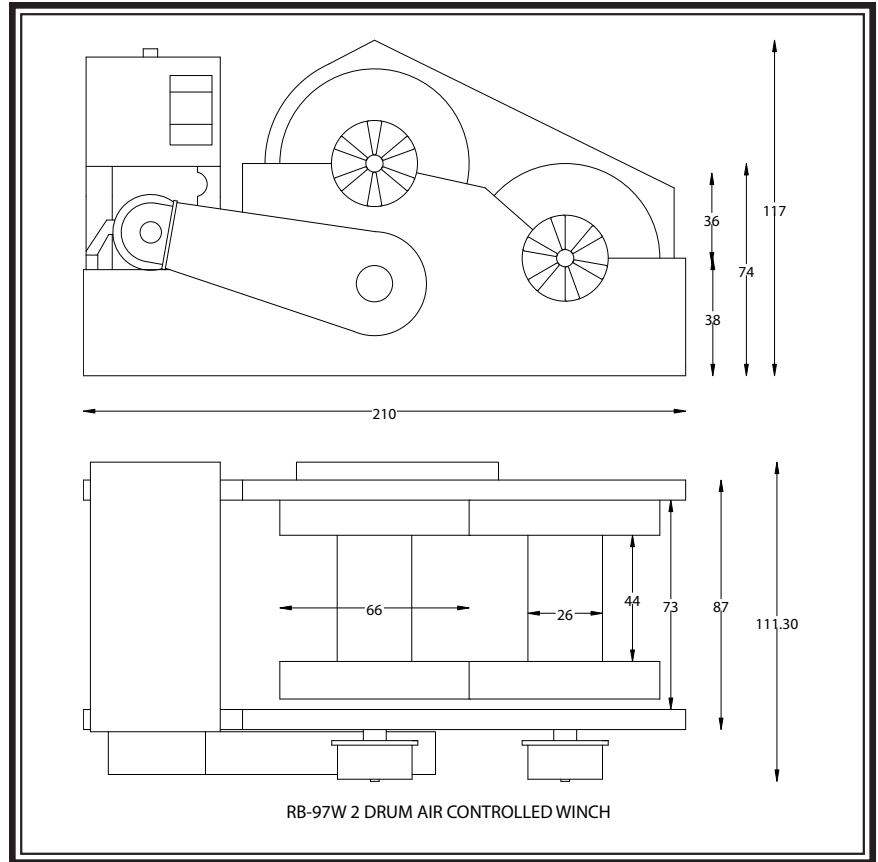


# Skagit RB-97W Specifications (Air Controlled)

## Used Diesel Mechanical Rental Winches



### • Drum Size

- Flange diameter (inches) ..... 66
- Barrel diameter (inches)..... 26
- Barrel length (inches) ..... 44

### • Cable Capacity

- 1-1/8 inch (length in feet) ..... 8,000
- 1-1/4 inch (length in feet) ..... 6,475
- 1-3/8 inch (length in feet) ..... 5,360
- 1-1/2 inch (length in feet) ..... 4,500
- 1-5/8 inch (length in feet) ..... 3,850
- 1-3/4 inch (length in feet) ..... 3,250

Using wire rope larger or smaller than what the winch was designed for could cause serious damage to the winch, operator, ratchets & personnel.

### • Maximum Cable Size

- Diameter (inches)..... 1-3/4

### • Approximate Weight

- Double-drum—standard (pounds) ... 56,000

### IMPORTANT

Before installation see maintenance and operations manual for additional warnings and precautions.

This equipment is not to be used for lifting supporting or transporting people or lifting or supporting loads over people.

All quotes are subject to product's availability, prior sale or other disposition. All details are believed correct, but without guarantee. Product quoted present location unless otherwise stated above or mutually agreed upon. Price quotes are valid for 10 days unless otherwise stated above. *Standard rental/sale terms and conditions may be viewed on the homepage at our website, [www.rasmussenco.com](http://www.rasmussenco.com)*

### Performance

Typical single drum line pull in pounds and line speed in feet-per-minute with a Detroit Diesel 8V-71N65 engine driving through a Twin Disc TC with an input ratio of 92/17.

| SINGLE DRUM PERFORMANCE |                      |                      |                      |
|-------------------------|----------------------|----------------------|----------------------|
| Efficiency Range        | Pitch Diameter       |                      |                      |
|                         | Bare Drum            | Average Drum         | Full Drum            |
| High                    | 49,781 Lbs @ 98 FPM  | 27,857 Lbs @ 175 FPM | 21,004 Lbs @ 233 FPM |
| Average                 | 83,307 Lbs @ 72 FPM  | 46,617 Lbs @ 129 FPM | 35,150 Lbs @ 171 FPM |
| Low                     | 205,299 Lbs @ 20 FPM | 114,881 Lbs @ 35 FPM | 86,623 Lbs @ 47 FPM  |
| Stall                   | 225,000 Lbs @ 0 FPM  | 147,285 Lbs @ 0 FPM  | 111,057 Lbs @ 0 FPM  |

**Note:** Line speed and pull performance on our entire rental fleet is estimated on manufacturer specifications. Consult manufacturer for exact line speeds and pulls.



## RASMUSSEN EQUIPMENT COMPANY

### Northwest Office

P.O. Box 81206  
 Seattle, WA 98108  
 Phone: (206) 762-3700  
 Fax: (206) 762-5003  
[equipmentsales@rasmussenco.com](mailto:equipmentsales@rasmussenco.com)

Mooring Systems • Winches • Cranes • Barges  
 Anchors • Fairleads • Deckleads • Wire Rope

Sales • Rentals

### Gulf Coast Office

2220 Engineers Road  
 Belle Chasse, LA 70037  
 Phone: (504) 392-0442  
 Fax: (504) 392-0107  
[equipbc@rasmussenco.com](mailto:equipbc@rasmussenco.com)