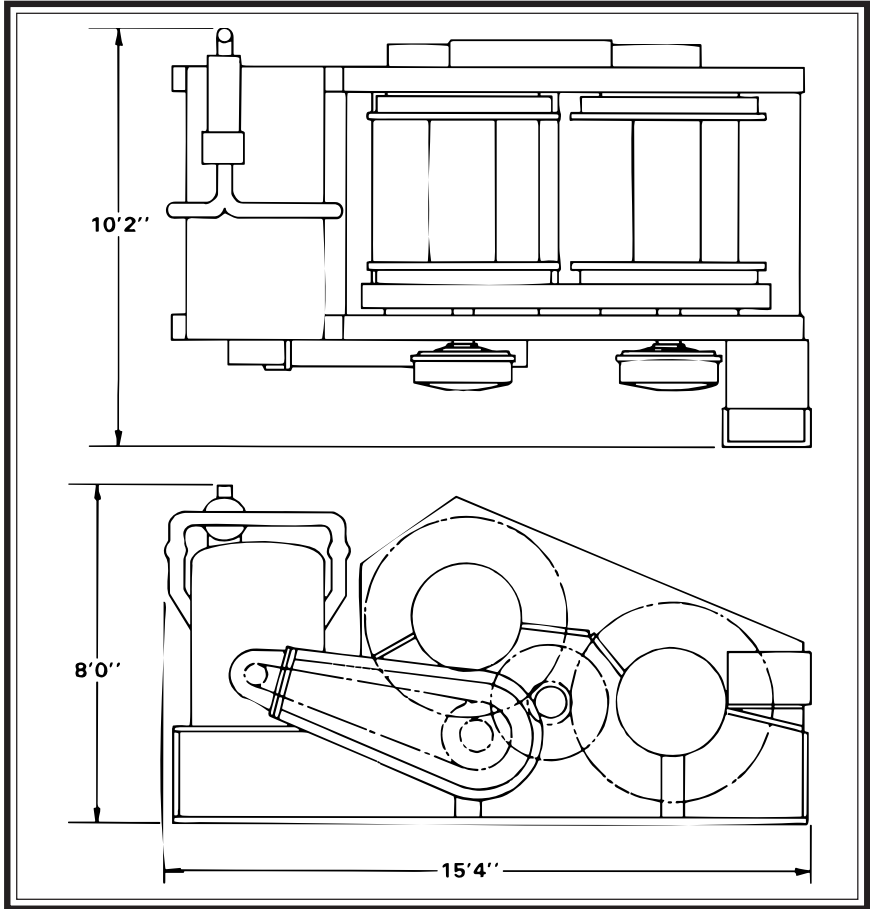
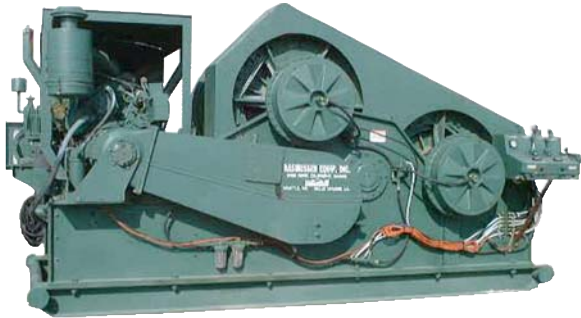


# Skagit RB-90W Specifications (Air Controlled)

## Used / Reconditioned Diesel Mechanical Rental Winches



### • Drum Size

- Flange diameter (inches) ..... 55
- Barrel diameter (inches) ..... 19
- Barrel length (inches)..... 42

### • Cable Capacity

- 1-1/8 inch (length in feet) ..... 5,600
- 1-1/4 inch (length in feet) ..... 4,600
- 1-3/8 inch (length in feet) ..... 3,900
- 1-1/2 inch (length in feet) ..... 3,300

Using wire rope larger or smaller than what the winch was designed for could cause serious damage to the winch, operator, ratchets & personnel.

### • Maximum Cable Size

- Diameter (inches) ..... 1-1/2

### • Approximate Weight

- Double-drum—standard (pounds) ... 30,000

### Performance

Typical single drum line pull in pounds and line speed in feet-per-minute with a Detroit Diesel 6V-71N65 engine driving through a Twin Disc TC with an input ratio of 48/15.

SINGLE DRUM PERFORMANCE			
Efficiency Range	Pitch Diameter		
	Bare Drum	Average Drum	Full Drum
High	48,533 Lbs @ 90 FPM	24,986 Lbs @ 175 FPM	18,368 Lbs @ 238 FPM
Average	68,788 Lbs @ 64 FPM	35,414 Lbs @ 124 FPM	26,033 Lbs @ 169 FPM
Low	136,780 Lbs @ 17 FPM	70,418 Lbs @ 32 FPM	51,765 Lbs @ 44 FPM
Stall	159,767 Lbs @ 0 FPM	82,252 Lbs @ 0 FPM	60,465 Lbs @ 0 FPM

**Note:** Line speed and pull performance on our entire rental fleet is estimated on manufacturer specifications. Consult manufacturer for exact line speeds and pulls.

**IMPORTANT**  
 Before installation see maintenance and operations manual for additional warnings and precautions.  
 This equipment is not to be used for lifting supporting or transporting people or lifting or supporting loads over people.

All quotes are subject to product's availability, prior sale or other disposition. All details are believed correct, but without guarantee. Product quoted present location unless otherwise stated above or mutually agreed upon. Price quotes are valid for 10 days unless otherwise stated above.



## RASMUSSEN EQUIPMENT COMPANY

### Northwest Office

P.O. Box 81206  
 Seattle, WA 98108  
 Phone: (206) 762-3700  
 Fax: (206) 762-5003  
 equipmentsales@rasmussenco.com

Mooring Systems • Winches • Cranes • Barges  
 Anchors • Fairleads • Deckleads • Wire Rope

Sales • Rentals

### Gulf Coast Office

2220 Engineers Road  
 Belle Chasse, LA 70037  
 Phone: (504) 392-0442  
 Fax: (504) 392-0107  
 equipbc@rasmussenco.com