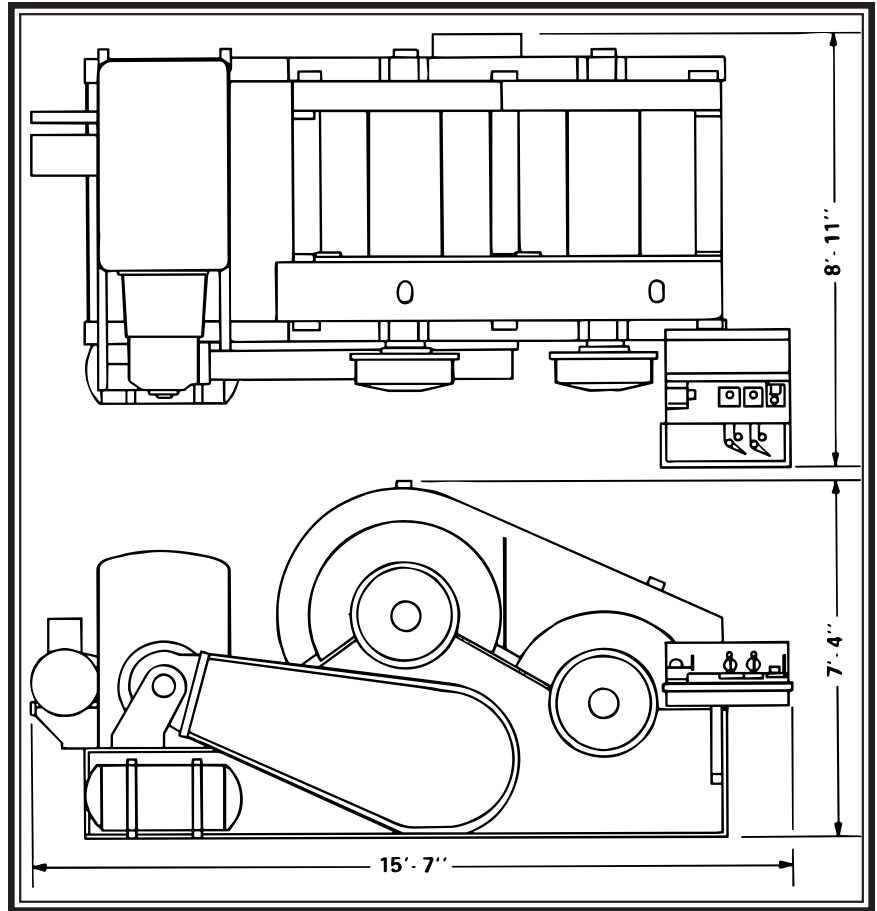
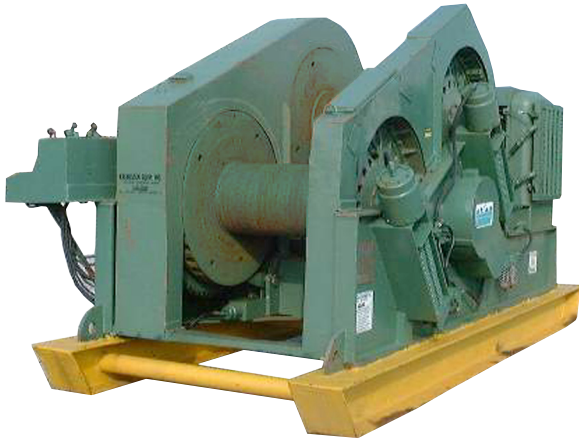


# Skagit RB-80 Specifications (Air Controlled)

## Used Diesel Mechanical Rental Winches



### • Drum Size

- Flange diameter (inches) ..... 44
- Barrel diameter (inches)..... 18
- Barrel length (inches) ..... 36

### • Cable Capacity

- 1-1/8 inch (length in feet) ..... 3,000
- 1-1/4 inch (length in feet) ..... 2,440
- 1-3/8 inch (length in feet) ..... 2,000

Using wire rope larger or smaller than what the winch was designed for could cause serious damage to the winch, operator, ratchets & personnel.

### • Maximum Cable Size

- Diameter (inches)..... 1-3/8

### • Approximate Weight

- Double-drum—standard (pounds) ... 24,000

### Performance

Typical single drum line pull in pounds and line speed in feet-per-minute with a Detroit Diesel 4-71N65 engine driving through a Twin Disc TC with an input ratio 78/15.

SINGLE DRUM PERFORMANCE			
Efficiency Range	Pitch Diameter		
	Bare Drum	Average Drum	Full Drum
High	41,951 Lbs @ 64 FPM	24,610 Lbs @ 110 FPM	18,796 Lbs @ 144 FPM
Average	51,166 Lbs @ 49 FPM	30,016 Lbs @ 83 FPM	22,925 Lbs @ 109 FPM
Low	88,942 Lbs @ 16 FPM	52,178 Lbs @ 27 FPM	39,851 Lbs @ 36 FPM
Stall	114,652 Lbs @ 0 FPM	67,260 Lbs @ 0 FPM	51,370 Lbs @ 0 FPM

**Note:** Line speed and pull performance on our entire rental fleet is estimated on manufacturer specifications. Consult manufacturer for exact line speeds and pulls.

### IMPORTANT

Before installation see maintenance and operations manual for additional warnings and precautions.

This equipment is not to be used for lifting supporting or transporting people or lifting or supporting loads over people.

All quotes are subject to product's availability, prior sale or other disposition. All details are believed correct, but without guarantee. Product quoted present location unless otherwise stated above or mutually agreed upon. Price quotes are valid for 10 days unless otherwise stated above. *Standard rental/sale terms and conditions may be viewed on the homepage at our website, [www.rasmussenco.com](http://www.rasmussenco.com)*



## RASMUSSEN EQUIPMENT COMPANY

### Northwest Office

P.O. Box 81206  
 Seattle, WA 98108  
 Phone: (206) 762-3700  
 Fax: (206) 762-5003  
[equipmentsales@rasmussenco.com](mailto:equipmentsales@rasmussenco.com)

Mooring Systems • Winches • Cranes • Barges  
 Anchors • Fairleads • Deckleads • Wire Rope

Sales • Rentals

### Gulf Coast Office

2220 Engineers Road  
 Belle Chasse, LA 70037  
 Phone: (504) 392-0442  
 Fax: (504) 392-0107  
[equipbc@rasmussenco.com](mailto:equipbc@rasmussenco.com)