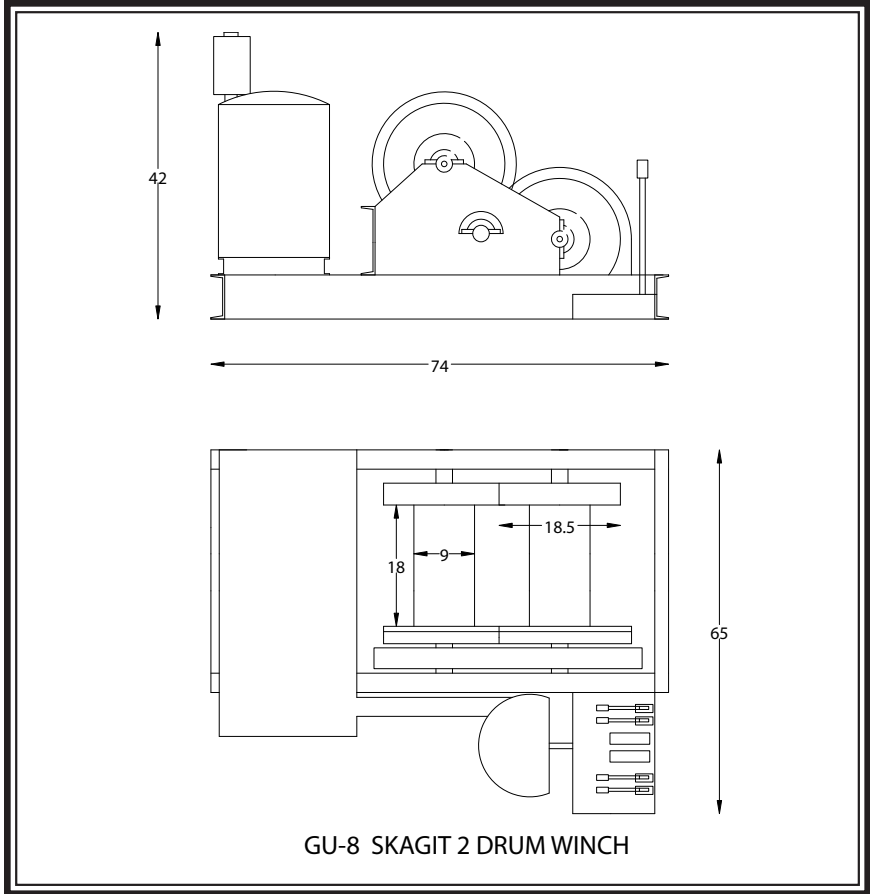
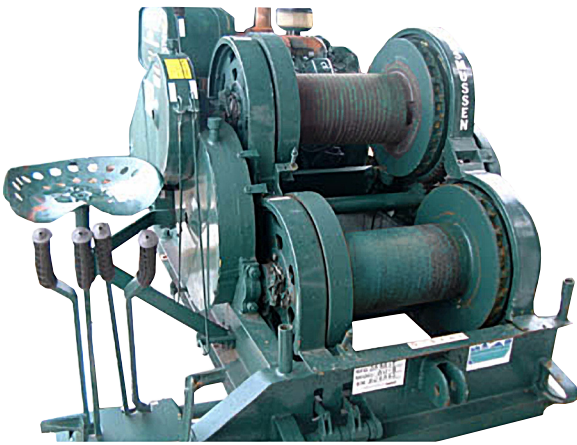


Skagit GU-8 Specifications (Manual Controlled)

Used Diesel Mechanical Rental Winches



• Drum Size

- Flange diameter (inches) 18.5
- Barrel diameter (inches)..... 9
- Barrel length (inches) 18

• Cable Capacity

- 1/2 inch (length in feet) 1,230
- 9/16 inch (length in feet) 970
- 5/8 inch (length in feet) 790

Using wire rope larger or smaller than what the winch was designed for could cause serious damage to the winch, operator, ratchets & personnel.

• Maximum Cable Size

- Diameter (inches)..... 5/8

• Approximate Weight

- Double-drum—standard (pounds) 2,300

Performance

Typical single drum line pull in pounds and line speed in feet-per-minute with a Aux Hydraulic supply of 17.5 GPM @ 2500 PSI or an engine that has 17.5 HP @ 1600 RPM and an input of 62/17.

SINGLE DRUM PERFORMANCE		
Drum	Gear	Maximum Pull
Bare	Low	8,152 Lbs @ 59 FPM
Bare	High	3,953 Lbs @ 122 FPM
Average	Low	5,346 Lbs @ 91 FPM
Average	High	2,593 Lbs @ 187 FPM
Full	Low	4,251 Lbs @ 114 FPM
Full	High	2,061 Lbs @ 235 FPM

IMPORTANT

Before installation see maintenance and operations manual for additional warnings and precautions.

This equipment is not to be used for lifting supporting or transporting people or lifting or supporting loads over people.

All quotes are subject to product's availability, prior sale or other disposition. All details are believed correct, but without guarantee. Product quoted present location unless otherwise stated above or mutually agreed upon. Price quotes are valid for 10 days unless otherwise stated above. *Standard rental/sale terms and conditions may be viewed on the homepage at our website, www.rasmussenco.com*

Note: Line speed and pull performance on our entire rental fleet is estimated on manufacturer specifications. Consult manufacturer for exact line speeds and pulls.



RASMUSSEN EQUIPMENT COMPANY

Northwest Office

P.O. Box 81206
Seattle, WA 98108
Phone: (206) 762-3700
Fax: (206) 762-5003
equipmentsales@rasmussenco.com

Mooring Systems • Winches • Cranes • Barges
Anchors • Fairleads • Deckleads • Wire Rope

Sales • Rentals

Gulf Coast Office

2220 Engineers Road
Belle Chasse, LA 70037
Phone: (504) 392-0442
Fax: (504) 392-0107
equipbc@rasmussenco.com