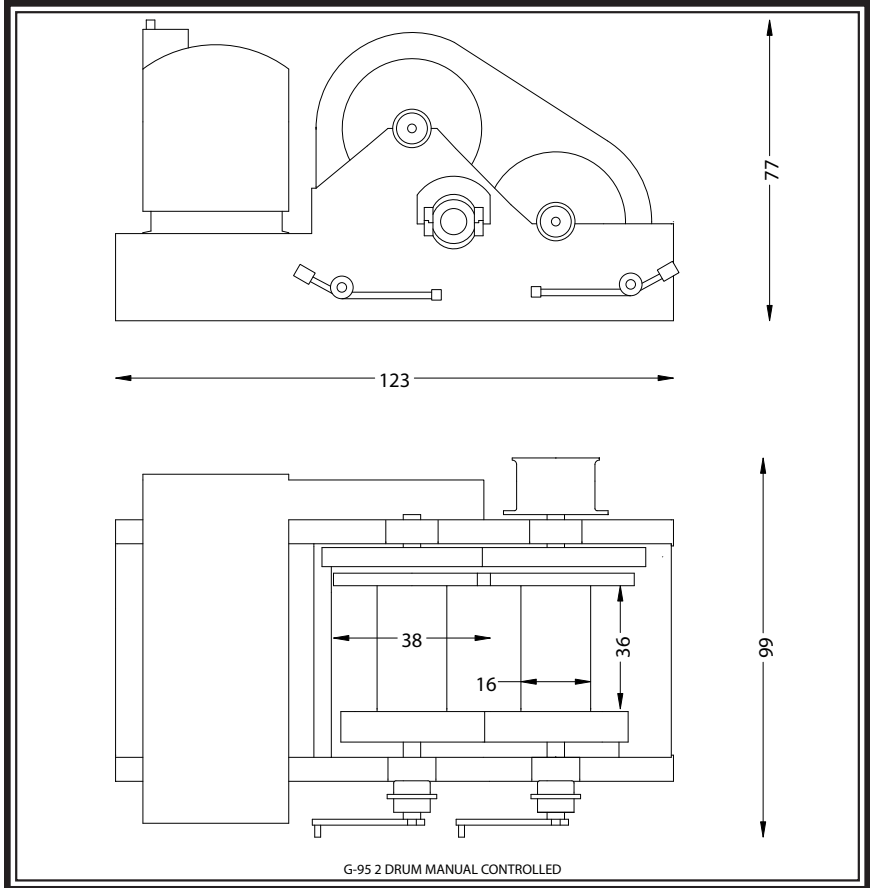
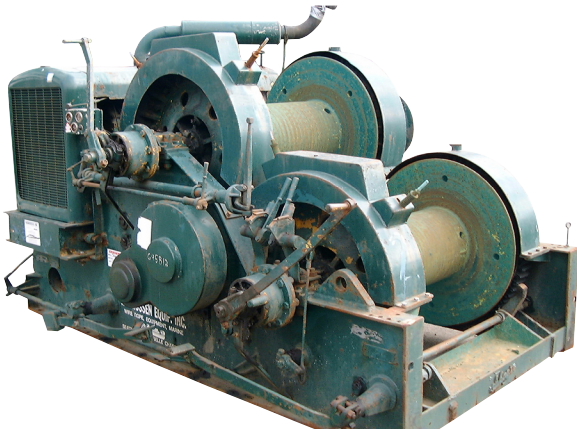


Skagit G-95 Specifications (Manual Controlled)

Used Diesel Mechanical Rental Winches



• Drum Size

- Flange diameter (inches) 38
- Barrel diameter (inches) 16
- Barrel length (inches) 36

• Cable Capacity

- 3/4 inch (length in feet) 4,900
- 7/8 inch (length in feet) 3,600
- 1 inch (length in feet) 2,800
- 1-1/8 inch (length in feet) 2,200

Using wire rope larger or smaller than what the winch was designed for could cause serious damage to the winch, operator, ratchets & personnel.

• Maximum Cable Size

- Diameter (inches) 1-1/8

• Approximate Weight

- Double-drum—standard (pounds) . . . 18,000

IMPORTANT

Before installation see maintenance and operations manual for additional warnings and precautions.

This equipment is not to be used for lifting supporting or transporting people or lifting or supporting loads over people.

All quotes are subject to product's availability, prior sale or other disposition. All details are believed correct, but without guarantee. Product quoted present location unless otherwise stated above or mutually agreed upon. Price quotes are valid for 10 days unless otherwise stated above. *Standard rental/sale terms and conditions may be viewed on the homepage at our website, www.rasmussenco.com*

Performance

Typical single drum line pull in pounds and line speed in feet-per-minute with a Detroit Diesel 4-71N65 engine driving through a Skagit TRA70 4 speed transmission with an input ratio 40/18.

SINGLE DRUM PERFORMANCE			
Drum	Gear	Maximum Pull	Maximum Speed
Bare	1st	41,444 Lbs @ 54 FPM	37,289 Lbs @ 95 FPM
Bare	2nd	23,251 Lbs @ 97 FPM	20,920 Lbs @ 170 FPM
Bare	3rd	12,247 Lbs @ 184 FPM	11,019 Lbs @ 323 FPM
Bare	4th	8,874 Lbs @ 254 FPM	7,985 Lbs @ 445 FPM
Average	1st	24,160 Lbs @ 93 FPM	21,737 Lbs @ 164 FPM
Average	2nd	13,554 Lbs @ 167 FPM	12,195 Lbs @ 292 FPM
Average	3rd	7,139 Lbs @ 316 FPM	6,423 Lbs @ 554 FPM
Average	4th	5,173 Lbs @ 437 FPM	4,655 Lbs @ 764 FPM
Full	1st	18,467 Lbs @ 122 FPM	16,616 Lbs @ 214 FPM
Full	2nd	10,361 Lbs @ 218 FPM	9,322 Lbs @ 381 FPM
Full	3rd	5,457 Lbs @ 414 FPM	4,910 Lbs @ 724 FPM
Full	4th	3,954 Lbs @ 571 FPM	3,558 Lbs @ 999 FPM

Note: Line speed and pull performance on our entire rental fleet is estimated on manufacturer specifications. Consult manufacturer for exact line speeds and pulls.



RASMUSSEN EQUIPMENT COMPANY

Northwest Office

P.O. Box 81206
 Seattle, WA 98108
 Phone: (206) 762-3700
 Fax: (206) 762-5003
equipmentsales@rasmussenco.com

Mooring Systems • Winches • Cranes • Barges
 Anchors • Fairleads • Deckleads • Wire Rope

Sales • Rentals

Gulf Coast Office

2220 Engineers Road
 Belle Chasse, LA 70037
 Phone: (504) 392-0442
 Fax: (504) 392-0107
equipbc@rasmussenco.com