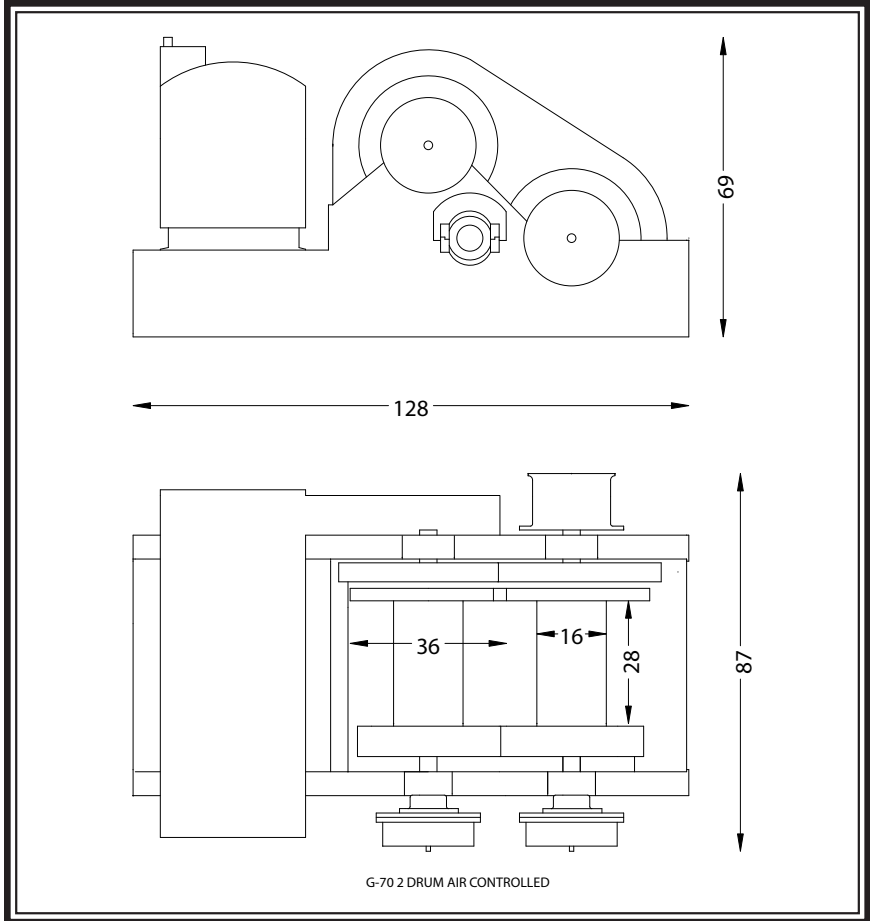
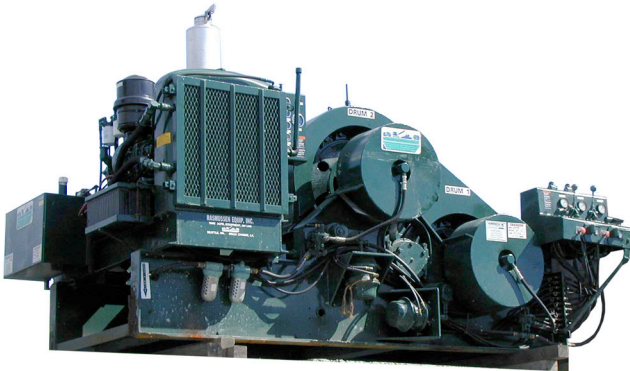


# Skagit G-70 Specifications (Air Controlled)

## Used Diesel Mechanical Rental Winches



### • Drum Size

- Flange diameter (inches) ..... 36
- Barrel diameter (inches)..... 16
- Barrel length (inches) ..... 28

### • Cable Capacity

- 3/4 inch (length in feet) ..... 3,380
- 7/8 inch (length in feet) ..... 2,480
- 1 inch (length in feet) ..... 1,900
- 1-1/8 inch (length in feet) ..... 1,500

Using wire rope larger or smaller than what the winch was designed for could cause serious damage to the winch, operator, ratchets & personnel.

### • Maximum Cable Size

- Diameter (inches)..... 1-1/8

### • Approximate Weight

- Double-drum—standard (pounds) ... 12,500

### IMPORTANT

Before installation see maintenance and operations manual for additional warnings and precautions.

This equipment is not to be used for lifting supporting or transporting people or lifting or supporting loads over people.

All quotes are subject to product's availability, prior sale or other disposition. All details are believed correct, but without guarantee. Product quoted present location unless otherwise stated above or mutually agreed upon. Price quotes are valid for 10 days unless otherwise stated above. *Standard rental/sale terms and conditions may be viewed on the homepage at our website, [www.rasmussenco.com](http://www.rasmussenco.com)*

### Performance

Typical single drum line pull in pounds and line speed in feet-per-minute with a Detroit Diesel 4-71N65 engine driving through a Twin Disc TC with an input ratio 43/17.

SINGLE DRUM PERFORMANCE			
Efficiency Range	Pitch Diameter		
	Bare Drum	Average Drum	Full Drum
High	17,789 Lbs @ 134 FPM	10,972 Lbs @ 217 FPM	8,530 Lbs @ 279 FPM
Average	31,696 Lbs @ 102 FPM	13,382 Lbs @ 165 FPM	10,404 Lbs @ 212 FPM
Low	41,083 Lbs @ 25 FPM	25,339 Lbs @ 40 FPM	19,701 Lbs @ 51 FPM
Stall	48,617 Lbs @ 0 FPM	29,987 Lbs @ 0 FPM	23,314 Lbs @ 0 FPM

**Note:** Line speed and pull performance on our entire rental fleet is estimated on manufacturer specifications. Consult manufacturer for exact line speeds and pulls.



## RASMUSSEN EQUIPMENT COMPANY

### Northwest Office

P.O. Box 81206  
 Seattle, WA 98108  
 Phone: (206) 762-3700  
 Fax: (206) 762-5003  
[equipmentsales@rasmussenco.com](mailto:equipmentsales@rasmussenco.com)

Mooring Systems • Winches • Cranes • Barges  
 Anchors • Fairleads • Deckleads • Wire Rope

Sales • Rentals

### Gulf Coast Office

2220 Engineers Road  
 Belle Chasse, LA 70037  
 Phone: (504) 392-0442  
 Fax: (504) 392-0107  
[equipbc@rasmussenco.com](mailto:equipbc@rasmussenco.com)