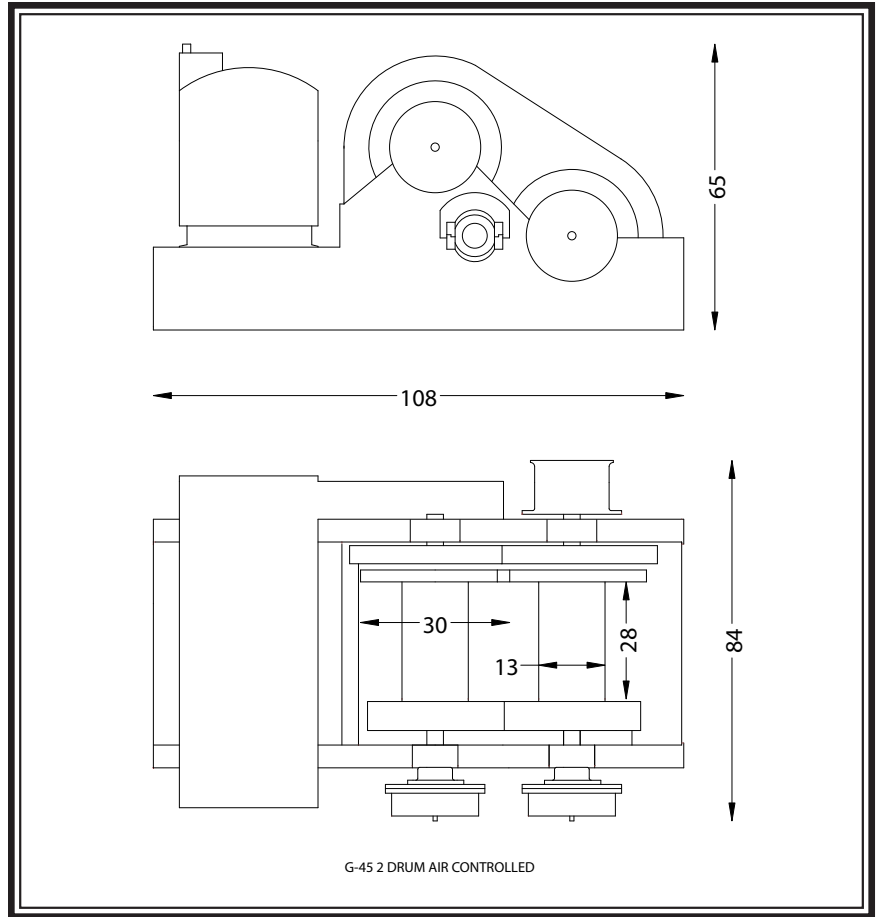
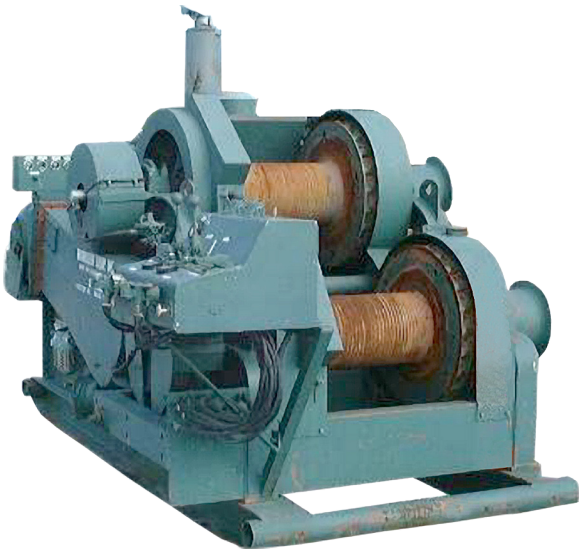


# Skagit G-45 Specifications (Air Controlled)

## Used Diesel Mechanical Rental Winches



### • Drum Size

- Flange diameter (inches) . . . . . 30
- Barrel diameter (inches) . . . . . 13
- Barrel length (inches) . . . . . 28

### • Cable Capacity

- 5/8 inch (length in feet) . . . . . 3,420
- 3/4 inch (length in feet) . . . . . 2,370
- 7/8 inch (length in feet) . . . . . 1,740
- 1 inch (length in feet) . . . . . 1,330

Using wire rope larger or smaller than what the winch was designed for could cause serious damage to the winch, operator, ratchets & personnel.

### • Maximum Cable Size

- Diameter (inches) . . . . . 1

### • Approximate Weight

- Double-drum—standard (pounds) . . . . 9,500

### IMPORTANT

Before installation see maintenance and operations manual for additional warnings and precautions.

This equipment is not to be used for lifting supporting or transporting people or lifting or supporting loads over people.

All quotes are subject to product's availability, prior sale or other disposition. All details are believed correct, but without guarantee. Product quoted present location unless otherwise stated above or mutually agreed upon. Price quotes are valid for 10 days unless otherwise stated above. *Standard rental/sale terms and conditions may be viewed on the homepage at our website, [www.rasmussenco.com](http://www.rasmussenco.com)*

### Performance

Typical single drum line pull in pounds and line speed in feet-per-minute with a Detroit Diesel 4-71N65 engine driving through a Twin Disc TC with an input ratio 130/19.

SINGLE DRUM PERFORMANCE			
Efficiency Range	Pitch Diameter		
	Bare Drum	Average Drum	Full Drum
High	21,381 Lbs @ 112 FPM	13,116 Lbs @ 182 FPM	10,164 Lbs @ 235 FPM
Average	26,077 Lbs @ 84 FPM	15,997 Lbs @ 138 FPM	13,396 Lbs @ 178 FPM
Low	45,000 Lbs @ 21 FPM	30,291 Lbs @ 33 FPM	23,473 Lbs @ 43 FPM
Stall	45,000 Lbs @ 0 FPM	35,800 Lbs @ 0 FPM	27,778 Lbs @ 0 FPM

**Note:** Line speed and pull performance on our entire rental fleet is estimated on manufacturer specifications. Consult manufacturer for exact line speeds and pulls.



## RASMUSSEN EQUIPMENT COMPANY

### Northwest Office

P.O. Box 81206  
Seattle, WA 98108  
Phone: (206) 762-3700  
Fax: (206) 762-5003  
[equipmentsales@rasmussenco.com](mailto:equipmentsales@rasmussenco.com)

Mooring Systems • Winches • Cranes • Barges  
Anchors • Fairleads • Deckleads • Wire Rope

Sales • Rentals

### Gulf Coast Office

2220 Engineers Road  
Belle Chasse, LA 70037  
Phone: (504) 392-0442  
Fax: (504) 392-0107  
[equipbc@rasmussenco.com](mailto:equipbc@rasmussenco.com)