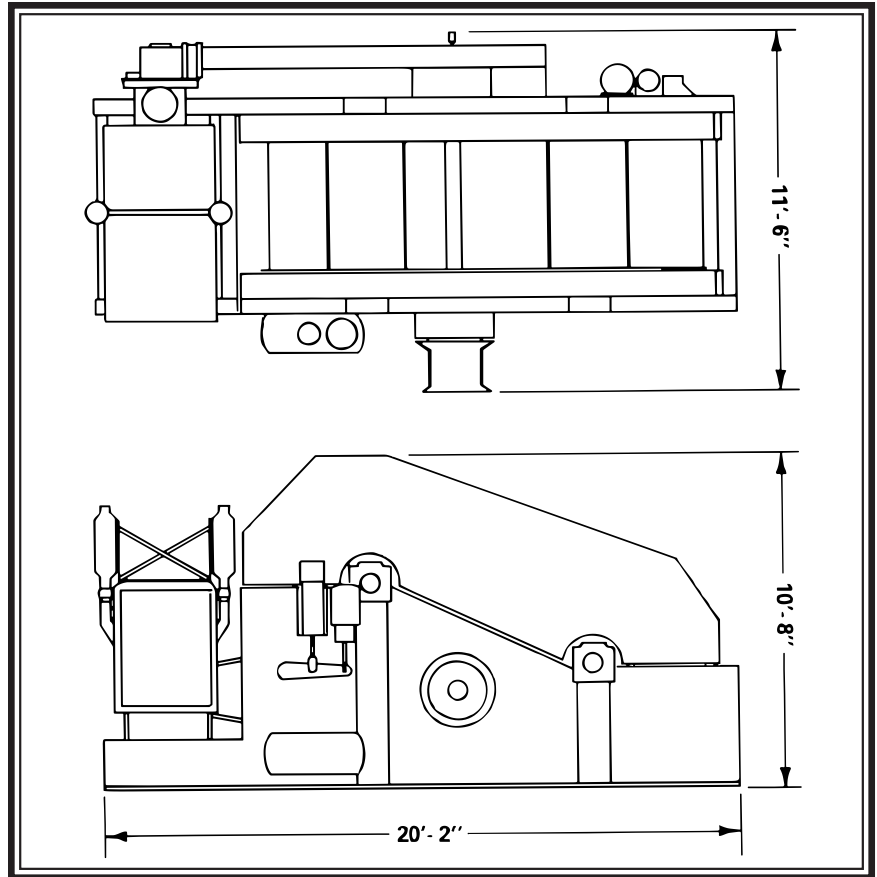
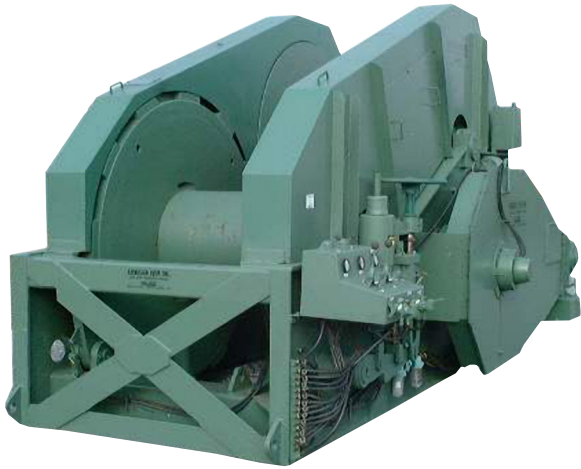


# Skagit DTW-150 Specifications (Air Controlled)

## Used Diesel Mechanical Rental Winches



### • Drum Size

- Flange diameter (inches) ..... 78
- Barrel diameter (inches)..... 30
- Barrel length (inches) ..... 46

### • Cable Capacity

- 2 inch (length in feet) ..... 3,900
- 2-1/4 inch (length in feet) ..... 3,100

Using wire rope larger or smaller than what the winch was designed for could cause serious damage to the winch, operator, ratchets & personnel.

### • Maximum Cable Size

- Diameter (inches)..... 2-1/4

### • Drum Brake Holding Power

- Maximum pounds on first layer ..... 450,000

### • Approximate Weight

- Double-drum—standard (pounds) ... 72,500

### IMPORTANT

Before installation see maintenance and operations manual for additional warnings and precautions.

This equipment is not to be used for lifting supporting or transporting people or lifting or supporting loads over people.

All quotes are subject to product's availability, prior sale or other disposition. All details are believed correct, but without guarantee. Product quoted present location unless otherwise stated above or mutually agreed upon. Price quotes are valid for 10 days unless otherwise stated above. *Standard rental/sale terms and conditions may be viewed on the homepage at our website, [www.rasmussenco.com](http://www.rasmussenco.com)*

### Performance

Typical single drum line pull in pounds and line speed in feet-per-minute with a Detroit Diesel 8V-71N-N65 diesel engine driving through an Allison TC-550 torque converter and an Allison CRT-5633 transmission with an input ratio of 138/17.

SINGLE DRUM PERFORMANCE			
Drum	Gear	Maximum Pull	Maximum Speed
Bare	1st	259,129 Lbs @ 8 FPM	2,018 Lbs @ 86 FPM
Bare	2nd	128,712 Lbs @ 17 FPM	1,002 Lbs @ 173 FPM
Bare	3rd	64,782 Lbs @ 33 FPM	505 Lbs @ 343 FPM
Average	1st	143,574 Lbs @ 15 FPM	1,118 Lbs @ 155 FPM
Average	2nd	71,314 Lbs @ 30 FPM	555 Lbs @ 311 FPM
Average	3rd	35,893 Lbs @ 60 FPM	280 Lbs @ 619 FPM
Full	1st	107,848 Lbs @ 20 FPM	840 Lbs @ 206 FPM
Full	2nd	53,569 Lbs @ 40 FPM	417 Lbs @ 415 FPM
Full	3rd	26,962 Lbs @ 80 FPM	210 Lbs @ 824 FPM

**Note:** Line speed and pull performance on our entire rental fleet is estimated on manufacturer specifications. Consult manufacturer for exact line speeds and pulls.



## RASMUSSEN EQUIPMENT COMPANY

### Northwest Office

P.O. Box 81206  
 Seattle, WA 98108  
 Phone: (206) 762-3700  
 Fax: (206) 762-5003  
[equipmentsales@rasmussenco.com](mailto:equipmentsales@rasmussenco.com)

Mooring Systems • Winches • Cranes • Barges  
 Anchors • Fairleads • Deckleads • Wire Rope

Sales • Rentals

### Gulf Coast Office

2220 Engineers Road  
 Belle Chasse, LA 70037  
 Phone: (504) 392-0442  
 Fax: (504) 392-0107  
[equipbc@rasmussenco.com](mailto:equipbc@rasmussenco.com)