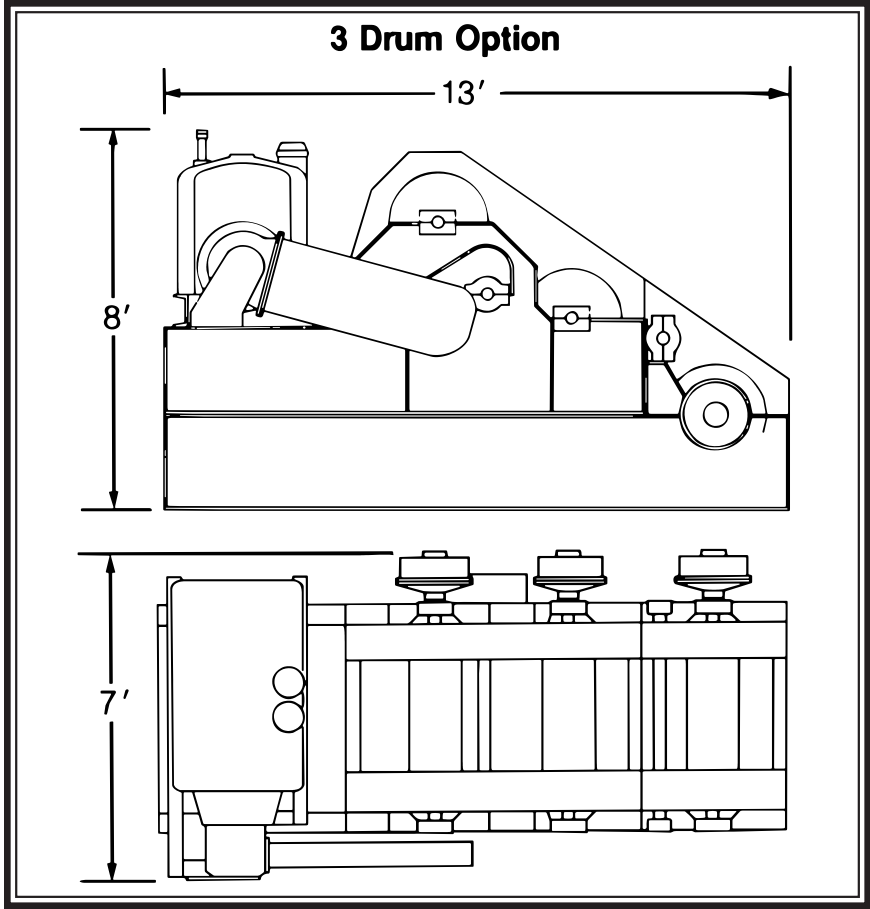
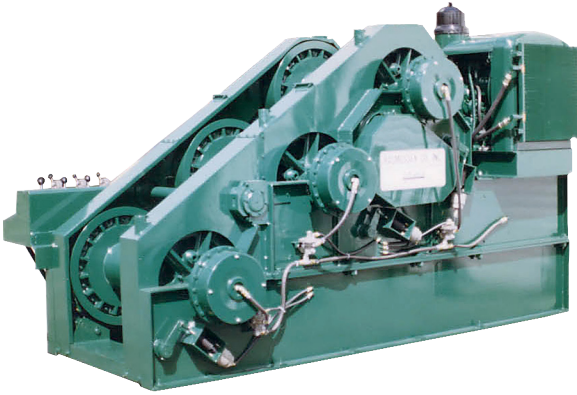


RAS 4565 Specifications (Air Controlled)

Used Diesel Mechanical Rental Winches



• **Drum Size**

- Flange diameter (inches) 30
- Barrel diameter (inches) 13
- Barrel length (inches) 30

• **Cable Capacity**

- 1/2 inch (length in feet) 5,750
- 5/8 inch (length in feet) 3,670
- 3/4 inch (length in feet) 2,550
- 7/8 inch (length in feet) 1,870
- 1 inch (length in feet) 1,450

Using wire rope larger or smaller than what the winch was designed for could cause serious damage to the winch, operator, ratchets & personnel.

• **Maximum Cable Size**

- Diameter (inches) 1

• **Drum Brake Holding Power**

- Maximum pounds on Second layer . . . 50,000

• **Approximate Weight**

- Double-drum—standard (pounds) . . . 15,000

Performance

Typical single drum line pull in pounds and line speed in feet per-minute with a Detroit 3-71N65 diesel engine driving a Allison TRT-2421-3 / TT-260 torque converter and transmission with an input ratio of 26/43.

SINGLE DRUM PERFORMANCE			
Drum	Gear	Maximum Pull	Maximum Speed
Bare	1st	65,000 Lbs @ 8 FPM	1,147 Lbs @ 116 FPM
Bare	2nd	24,432 Lbs @ 22 FPM	417 Lbs @ 319 FPM
Aver.	1st	36,709 Lbs @ 15 FPM	626 Lbs @ 212 FPM
Aver.	2nd	13,328 Lbs @ 40 FPM	227 Lbs @ 584 FPM
Full	1st	27,505 Lbs @ 20 FPM	469 Lbs @ 283 FPM
Full	2nd	9,987 Lbs @ 54 FPM	170 Lbs @ 780 FPM

Note: Line speed and pull performance on our entire rental fleet is estimated on manufacturer specifications. Consult manufacturer for exact line speeds and pulls.

IMPORTANT

Before installation see maintenance and operations manual for additional warnings and precautions.

This equipment is not to be used for lifting supporting or transporting people or lifting or supporting loads over people.

All quotes are subject to product's availability, prior sale or other disposition. All details are believed correct, but without guarantee. Product quoted present location unless otherwise stated above or mutually agreed upon. Price quotes are valid for 10 days unless otherwise stated above. *Standard rental/sale terms and conditions may be viewed on the homepage at our website, www.rasmussenco.com*



RASMUSSEN EQUIPMENT COMPANY

Northwest Office

P.O. Box 81206
 Seattle, WA 98108
 Phone: (206) 762-3700
 Fax: (206) 762-5003
equipmentsales@rasmussenco.com

Mooring Systems • Winches • Cranes • Barges
 Anchors • Fairleads • Deckleads • Wire Rope

Sales • Rentals

Gulf Coast Office

2220 Engineers Road
 Belle Chasse, LA 70037
 Phone: (504) 392-0442
 Fax: (504) 392-0107
equipbc@rasmussenco.com