



Manual Winches

BARGE CONNECTORS

Performance Data Approximate* (lbs.)

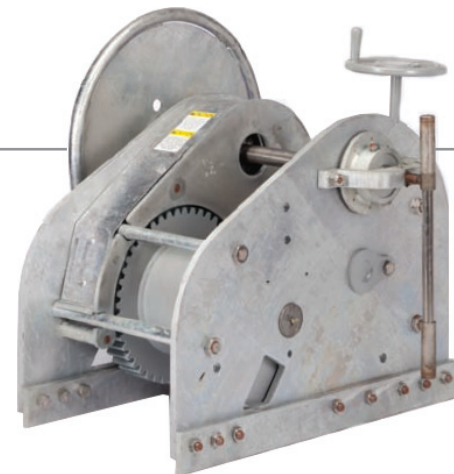
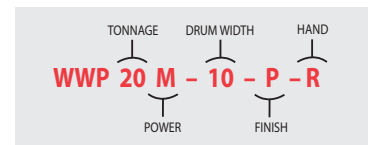
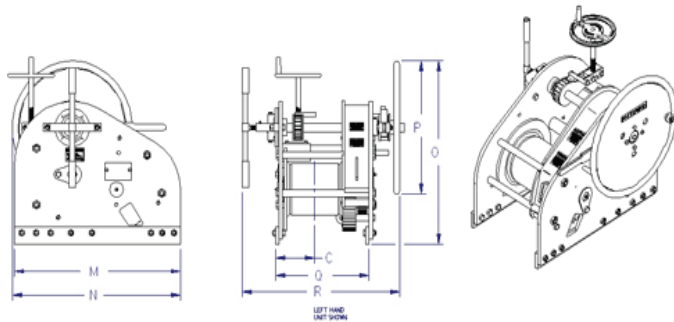
Drum Capacities Approximate*(in.)

Model	Ultimate Capacity	Break Holding Cap	Max Line Tension	1/2"	5/8"	3/4"	7/8"	1"	1 1/8"
WWP20M-6	40,000	40,000	5,200	220'	140'	100'	xx	xx	xx
WWP30M-10	60,000	60,000	6,600	xx	120'	85'	65'	xx	xx
WWP40M-12	80,000	80,000	8,000	xx	xx	180'	130'	100'	xx
WWP65M-14	130,000	130,000	11,200	xx	xx	xx	230'	180'	150'
WWP75M-10	150,000	150,000	12,000	xx	xx	xx	xx	190'	150'

Dimensions Approximate* (in.)

Drum Capacities Approximate*(lbs.)

Model	Drum Diameter	C	M	N	O	P	Weight Net	Approximate Shipping
WWP20M-6	8.625	5.8125	15	5.5	35	32.75	600	640
WWP30M-10	10	8.8125	19	4.875	35	34.25	750	800
WWP40M-12	10	9.1875	24.5	4	37	3.5	1,105	1,155
WWP65M-14	14	10.75	25.75	5.5	40	48	1,705	1,755
WWP75M-10	16	8	22.25	8.25	45	52	2,000	2,080



*All performance data and specifications set forth in the above table are guidelines. The referenced data and specifications were produced under controlled testing conditions and should be used as estimates only. Due to variability in individual operators, in weather, in towing conditions, and in various other factors, actual results may vary. In addition, for the purpose of installation, please verify all dimensions as the dimensions, specifications, data and other information contained in this brochure are subject to change at any time without notice.

Efficient Operation in Any Condition

Patterson's top-quality hand winches are designed to connect barges with maximum efficiency and durability. Capacities range from 20 to 90 tons,

and we also offer galvanized winches as a saltwater option for the very best in corrosion protection. We've thought of everything.



9.1.2011 Revision 0