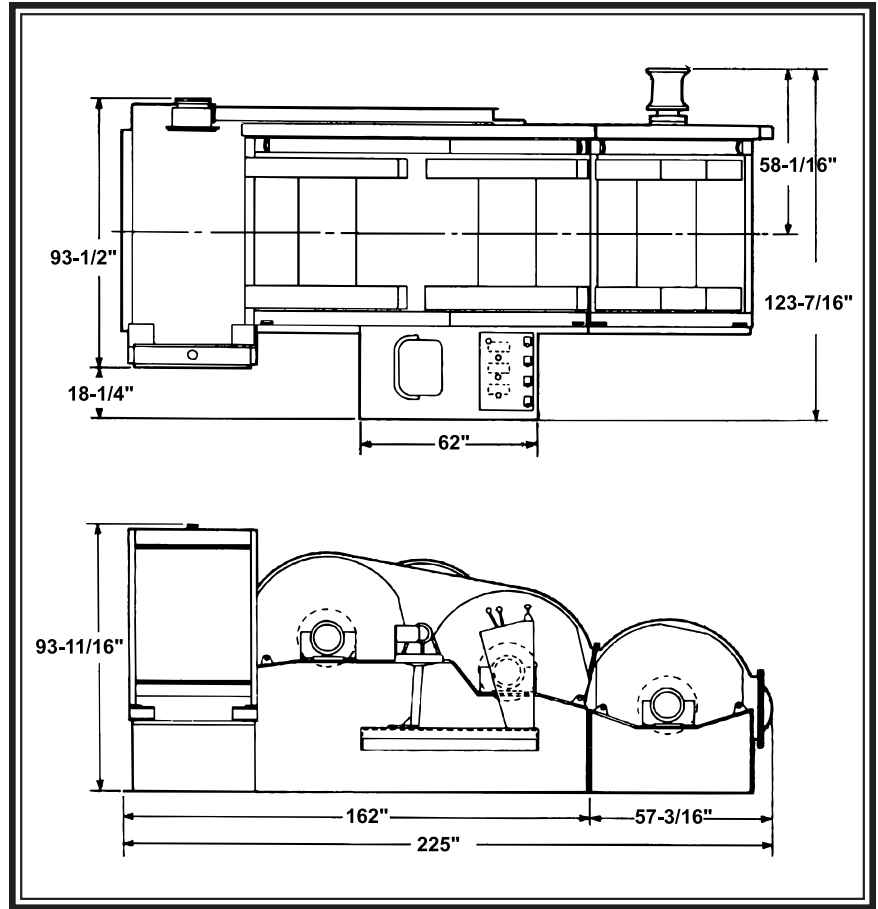
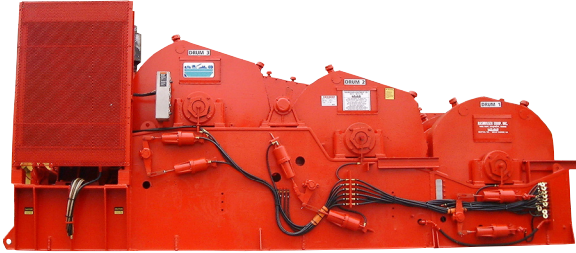


Manitowoc 390 Specifications (Air Controlled)

Used Diesel Mechanical Rental Winches



- **Drum Size**

	Standard	50" Flange
Flange diameter (inches)	46	50
Barrel diameter (inches)	20	20
Barrel length (inches)	37-1/4	35-1/2
- **Cable Capacity**

1-1/8 inch (length in feet)	2,916	3,780
1-1/4 inch (length in feet)	2,379	3,045
1-1/2 inch (length in feet)	1,650	2,079

Using wire rope larger or smaller than what the winch was designed for could cause serious damage to the winch, operator, ratchets & personnel.

- **Maximum Cable Size**

Diameter (inches)	1-1/2
-------------------	-------
- **Approximate Weight**

Double-drum—standard (pounds)	30,000
-------------------------------	--------

Performance

Typical single drum line pull in pounds and line speed in feet-per-minute with a Cummins Diesel NS-743-B320 engine driving through a Vicon Converter.

IMPORTANT

Before installation see maintenance and operations manual for additional warnings and precautions.

This equipment is not to be used for lifting supporting or transporting people or lifting or supporting loads over people.

All quotes are subject to product's availability, prior sale or other disposition. All details are believed correct, but without guarantee. Product quoted present location unless otherwise stated above or mutually agreed upon. Price quotes are valid for 10 days unless otherwise stated above. *Standard rental/sale terms and conditions may be viewed on the homepage at our website, www.rasmussenco.com*

SINGLE DRUM PERFORMANCE

Efficiency Range	Pitch Diameter		
	Bare Drum	Average Drum	Full Drum
High	20,026 Lbs @ 181 FPM	12,149 Lbs @ 299 FPM	9,393 Lbs @ 386 FPM
Average	60,030 Lbs @ 102 FPM	36,417 Lbs @ 167 FPM	28,155 Lbs @ 217 FPM
Low	140,382 Lbs @ 25 FPM	85,163 Lbs @ 42 FPM	65,840 Lbs @ 54 FPM
Stall	146,026 Lbs @ 0 FPM	88,587 Lbs @ 0 FPM	68,488 Lbs @ 0 FPM

Note: Line speed and pull performance on our entire rental fleet is estimated on manufacturer specifications. Consult manufacturer for exact line speeds and pulls.



RASMUSSEN EQUIPMENT COMPANY

Northwest Office

P.O. Box 81206
Seattle, WA 98108
Phone: (206) 762-3700
Fax: (206) 762-5003
equipmentsales@rasmussenco.com

Mooring Systems • Winches • Cranes • Barges
Anchors • Fairleads • Deckleads • Wire Rope

Sales • Rentals

Gulf Coast Office

2220 Engineers Road
Belle Chasse, LA 70037
Phone: (504) 392-0442
Fax: (504) 392-0107
equipbc@rasmussenco.com