

## Model 200 Hydraulic Planetary Winch

Line pull of 45,000 lbs. (20,500 kg)

The LANTEC® Model 200 Hydraulic Planetary Winch includes a hydraulic gear motor, spring-applied hydraulic-released multidisc brake with overrunning clutch and two planetary gear reductions. The Model 200 is a power in/power out winch with equal speed in both directions. LANTEC specializes in the custom designs, please inquire about special cable drums, hydraulic motors, band-brakes, freespool and ratchet and pawl options to meet your exact application needs.

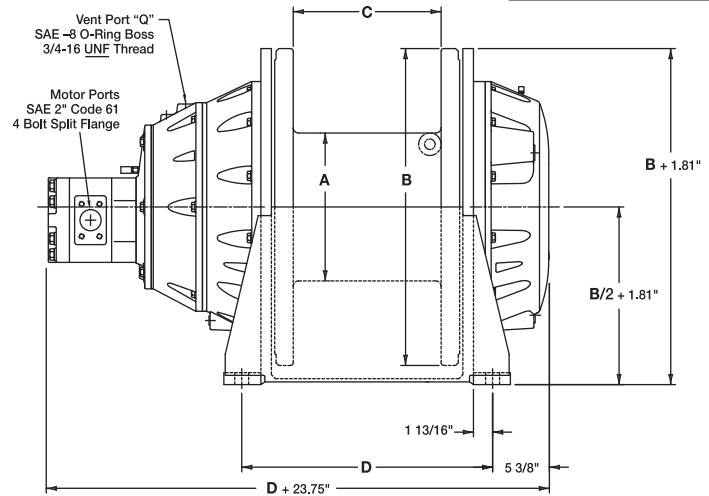
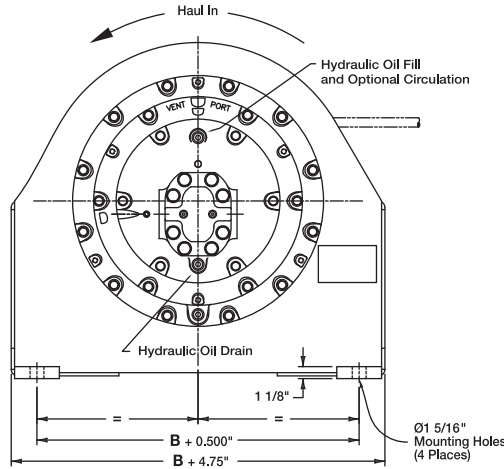


**CAUTION:**  
The last 5 wraps of cable must be left on the drum to assist the cable anchor in holding the load.

| MODEL 200<br>Drum Torque 194,818 lb.in. (22,011 Nm) /<br>Drum R.P.M. 31-25 | Drum Number |      | Line Pull |        | Line Speed |     |
|--|-------------|------|-----------|--------|------------|-----|
|  |             |      | lb.       | kg     | f.p.m.     | m/m |
| 101-103  |             | Bare | 45,175    | 20,490 | 70         | 21  |
|  |             | Mean | 24,160    | 10,960 | 132        | 40  |
|  |             | Full | 17,415    | 7,900  | 182        | 55  |
| 104-106  |             | Bare | 36,250    | 16,445 | 88         | 27  |
|  |             | Mean | 23,260    | 10,550 | 137        | 42  |
|  |             | Full | 17,125    | 7,768  | 186        | 57  |
| 121-123  |             | Bare | 26,640    | 12,084 | 120        | 37  |
|  |             | Mean | 17,610    | 7,988  | 180        | 55  |
|  |             | Full | 13,730    | 6,228  | 232        | 71  |

| MODEL 201<br>Drum Torque 146,114 lb.in. (16,508 Nm) /<br>Drum R.P.M. 41-67 | Drum Number |      | Line Pull |        | Line Speed |     |
|--|-------------|------|-----------|--------|------------|-----|
|  |             |      | lb.       | kg     | f.p.m.     | m/m |
| 101-103  |             | Bare | 33,880    | 15,368 | 94         | 29  |
|  |             | Mean | 18,120    | 8,220  | 175        | 53  |
|  |             | Full | 13,060    | 5,924  | 244        | 74  |
| 104-106  |             | Bare | 27,185    | 12,330 | 117        | 36  |
|  |             | Mean | 17,445    | 7,914  | 182        | 55  |
|  |             | Full | 12,845    | 5,825  | 248        | 76  |
| 121-123  |             | Bare | 19,980    | 9,062  | 160        | 49  |
|  |             | Mean | 13,210    | 5,992  | 241        | 73  |
|  |             | Full | 10,300    | 4,672  | 310        | 94  |

| MODEL 202<br>Drum Torque 101,837 lb.in. (11,506 Nm) /<br>Drum R.P.M. 59-80 | Drum Number |      | Line Pull |        | Line Speed |     |
|--|-------------|------|-----------|--------|------------|-----|
|  |             |      | lb.       | kg     | f.p.m.     | m/m |
| 101-103  |             | Bare | 26,615    | 10,712 | 135        | 41  |
|  |             | Mean | 12,630    | 5,728  | 252        | 77  |
|  |             | Full | 9,100     | 4,128  | 350        | 107 |
| 104-106  |             | Bare | 18,945    | 8,594  | 168        | 51  |
|  |             | Mean | 12,160    | 5,515  | 262        | 80  |
|  |             | Full | 8,950     | 4,060  | 356        | 108 |
| 121-123  |             | Bare | 13,925    | 6,316  | 228        | 69  |
|  |             | Mean | 9,205     | 4,175  | 346        | 105 |
|  |             | Full | 7,178     | 3,255  | 444        | 135 |



| Drum No. | Dimensions      |     |                 |     |            |     |                  |        | Cable Capacity Full Drum – No Allowance for Free-Flange |      |      |     |      |     |      |     |      |     |
|----------|-----------------|-----|-----------------|-----|------------|-----|------------------|--------|---|------|------|-----|------|-----|------|-----|------|-----|
|          | A – Barrel Dia. |     | B – Flange Dia. |     | C – Length |     | D – Bolt Centers |        | 1/2"  |      | 5/8" |     | 3/4" |     | 7/8" |     | 1"   |     |
|          | in              | mm  | in              | mm  | in         | mm  | in               | mm     | ft  | mm   | ft   | mm  | ft   | mm  | ft   | mm  | ft   | mm  |
| 101      | 8               | 203 | 24              | 610 | 10         | 254 | 19.50            | 495.3  | 1272  | 388  | 730  | 222 | 485  | 148 | 375  | 114 | 300  | 91  |
| 102      | 8               | 203 | 24              | 610 | 16         | 406 | 25.50            | 647.7  | 2074  | 632  | 1130 | 357 | 810  | 247 | 635  | 194 | 500  | 152 |
| 103      | 8               | 203 | 24              | 610 | 24         | 610 | 33.50            | 850.9  | 3147  | 959  | 1805 | 550 | 1256 | 383 | 975  | 297 | 770  | 235 |
| 104      | 10              | 254 | 24              | 610 | 10         | 254 | 19.50            | 495.3  | 1184  | 360  | 725  | 221 | 510  | 155 | 365  | 111 | 285  | 87  |
| 105      | 10              | 254 | 24              | 610 | 16         | 406 | 25.50            | 647.7  | 1928  | 588  | 1150 | 350 | 815  | 248 | 585  | 178 | 455  | 139 |
| 106      | 10              | 254 | 24              | 610 | 24         | 610 | 33.50            | 850.9  | 2926  | 892  | 1730 | 527 | 1225 | 373 | 880  | 268 | 680  | 207 |
| 121      | 14              | 356 | 30              | 762 | 14         | 356 | 23.50            | 596.9  | 2485  | 757  | 1418 | 432 | 958  | 292 | 772  | 235 | 600  | 183 |
| 122      | 14              | 356 | 30              | 762 | 20         | 508 | 29.50            | 749.3  | 3590  | 1094 | 2094 | 638 | 4106 | 428 | 1082 | 330 | 874  | 266 |
| 123      | 14              | 356 | 30              | 762 | 30         | 762 | 39.50            | 1003.3 | 5434  | 1656 | 3172 | 967 | 2194 | 669 | 1700 | 518 | 1335 | 407 |

Performance based on a hydraulic volume of 90 gpm [340 l/min] at 2800 psi [193 bar] (2500 psi [172 bar] running)

Contact a TWG sales representative about other available configurations.

As a leader in product innovation, TWG is committed to the ongoing improvement of its equipment. TWG reserves the right to make changes to our products without notice.

Other drum sizes available. For optimum performance in your operating conditions, please consult with the TWG/LANTEC Engineering Staff for accurate evaluation of all options and specifications.

LANTEC® is a registered brand of TWG, a global leader in standard and engineered winch, gearbox and electronic monitoring systems.

LANTEC®  
5827 Production Way  
Langley, BC, Canada V3A 4N5  
Phone: 604-530-0737  
Fax: 604-530-2889

TWG  
PO Box 1130  
Jenks OK 74037-1130 USA  
Phone: 918-298-8300  
[www.team-twg.com](http://www.team-twg.com)