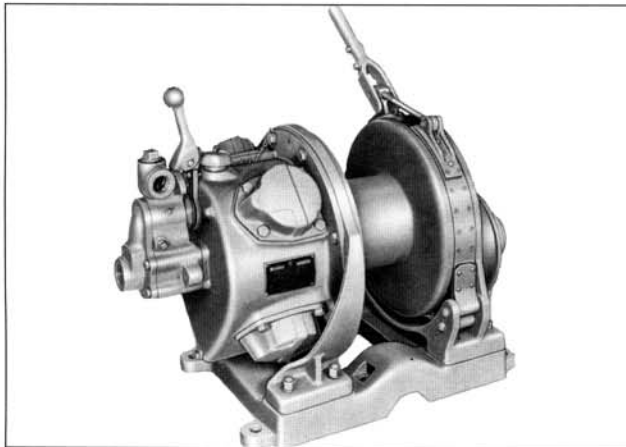


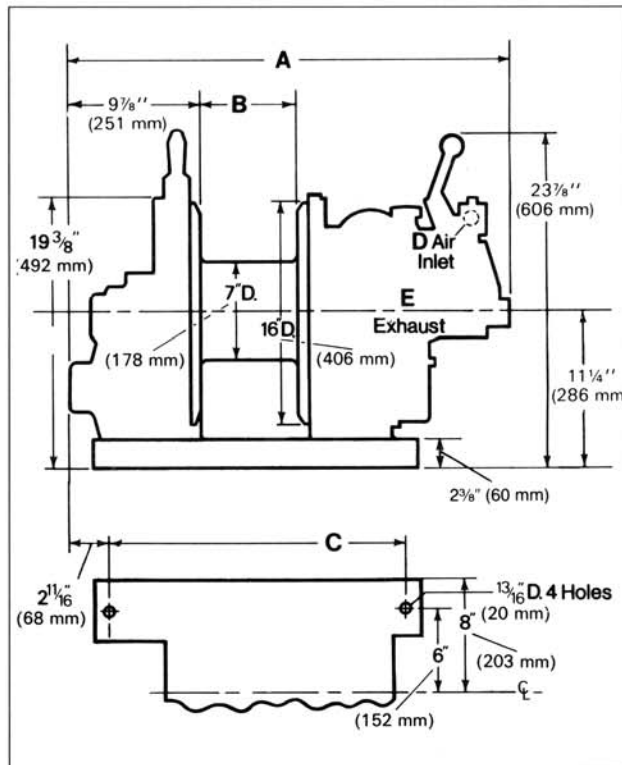
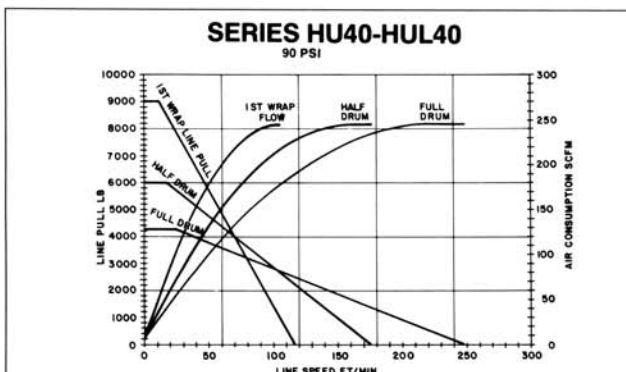
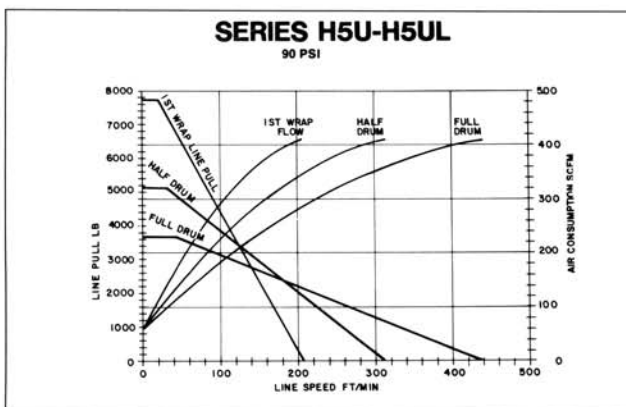
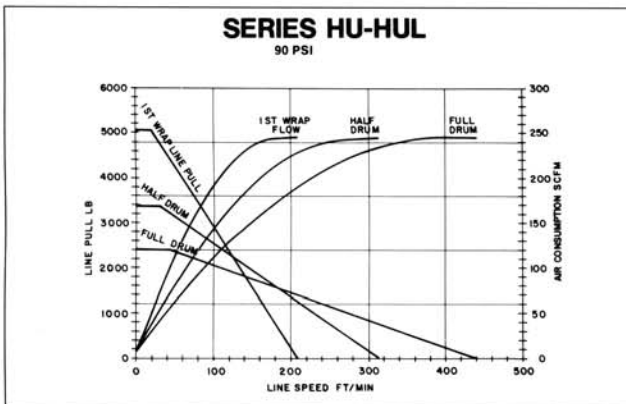
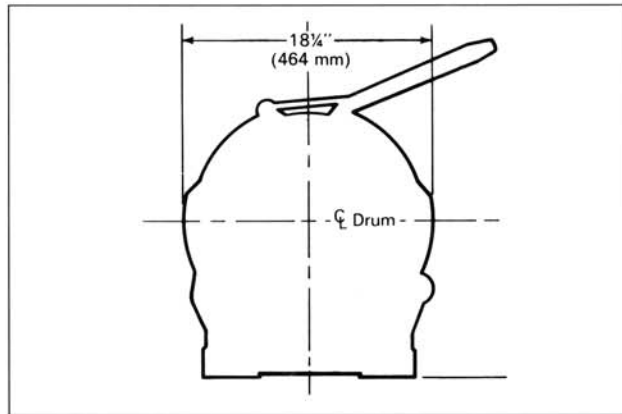
**INGERSOLL-RAND**  
MATERIAL HANDLING

**Classic I-R Air Winch Series**

2500-4000 lb capacity HU, HUL, H5U, H5UL, HU40, HUL40



HU40



**Dimensions**

Model	A in.	B in.	C in.	D air inlet pipe tap	E exhaust pipe tap
HU	32 <sup>3</sup> / <sub>8</sub>	7 <sup>1</sup> / <sub>8</sub>	22 <sup>3</sup> / <sub>16</sub>	1 NPT	1 <sup>1</sup> / <sub>4</sub> NPT
HUL	40 <sup>11</sup> / <sub>16</sub>	15 <sup>3</sup> / <sub>16</sub>	30 <sup>3</sup> / <sub>8</sub>	1 NPT	1 <sup>1</sup> / <sub>4</sub> NPT
H5U	32 <sup>7</sup> / <sub>8</sub>	7 <sup>1</sup> / <sub>8</sub>	22 <sup>5</sup> / <sub>16</sub>	1 <sup>1</sup> / <sub>4</sub> NPT	1 <sup>1</sup> / <sub>2</sub> NPT*
H5UL	40 <sup>15</sup> / <sub>16</sub>	15 <sup>13</sup> / <sub>16</sub>	30 <sup>3</sup> / <sub>8</sub>	1 <sup>1</sup> / <sub>4</sub> NPT	1 <sup>1</sup> / <sub>2</sub> NPT*
HU40	32 <sup>5</sup> / <sub>8</sub>	7 <sup>1</sup> / <sub>8</sub>	22 <sup>3</sup> / <sub>16</sub>	1 NPT	1 <sup>1</sup> / <sub>4</sub> NPT
HUL40	40 <sup>11</sup> / <sub>16</sub>	15 <sup>3</sup> / <sub>16</sub>	30 <sup>3</sup> / <sub>8</sub>	1 NPT	1 <sup>1</sup> / <sub>4</sub> NPT

\*Remote control units 1<sup>1</sup>/<sub>4</sub>" NPT.

**Note:** Dimensions are subject to change. Please contact factory for certified prints.