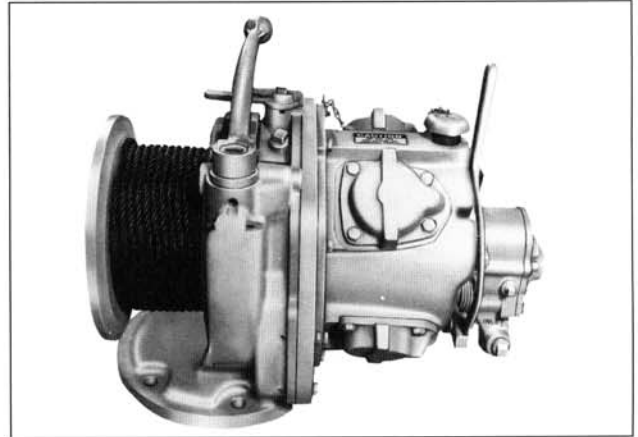
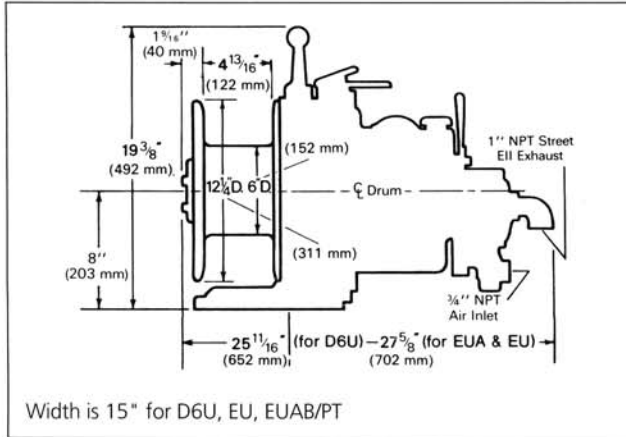
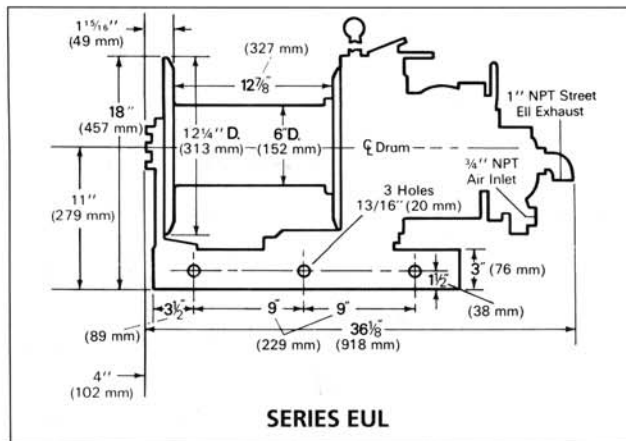


**Classic I-R Air Winch Series**  
**1500-2000 lb capacity D6U, EU, EUL**

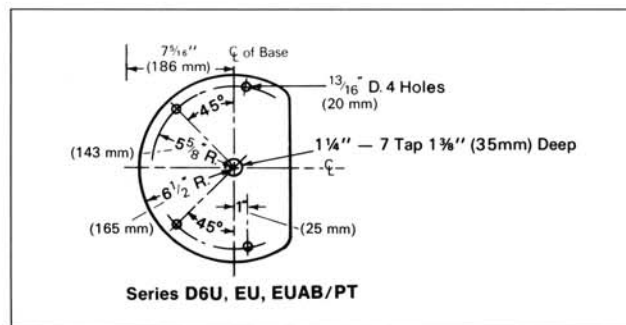
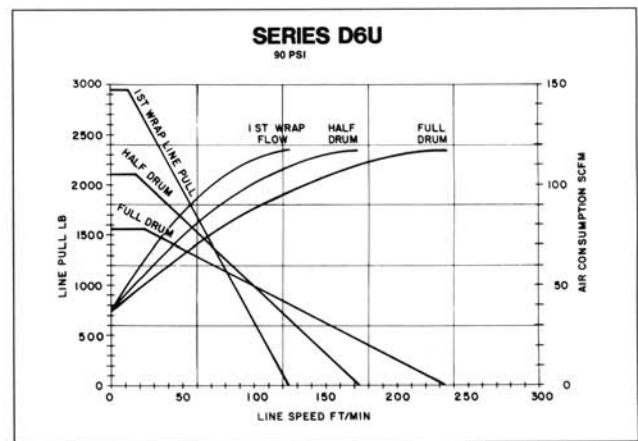
**INGERSOLL-RAND®**  
**MATERIAL HANDLING**



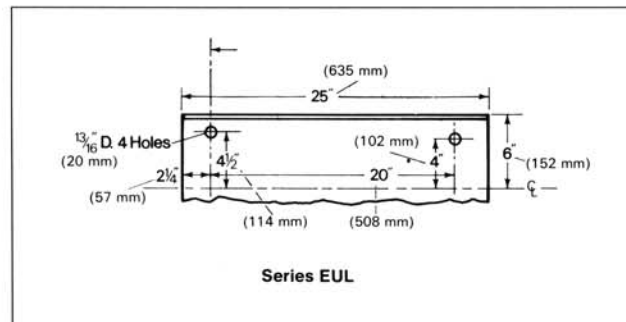
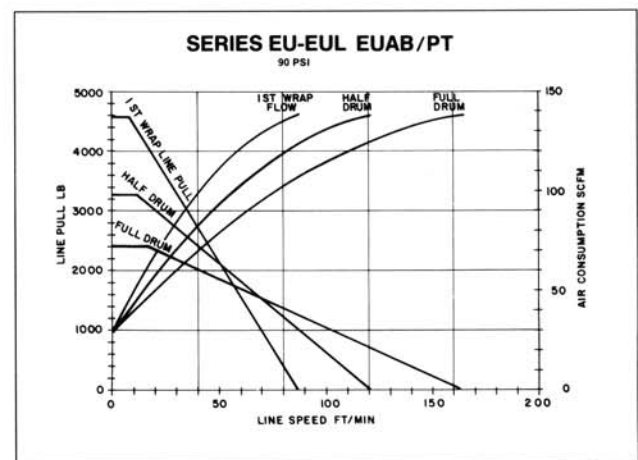
EU



**SERIES EUL**



**Series D6U, EU, EUAB/PT**



**Series EUL**