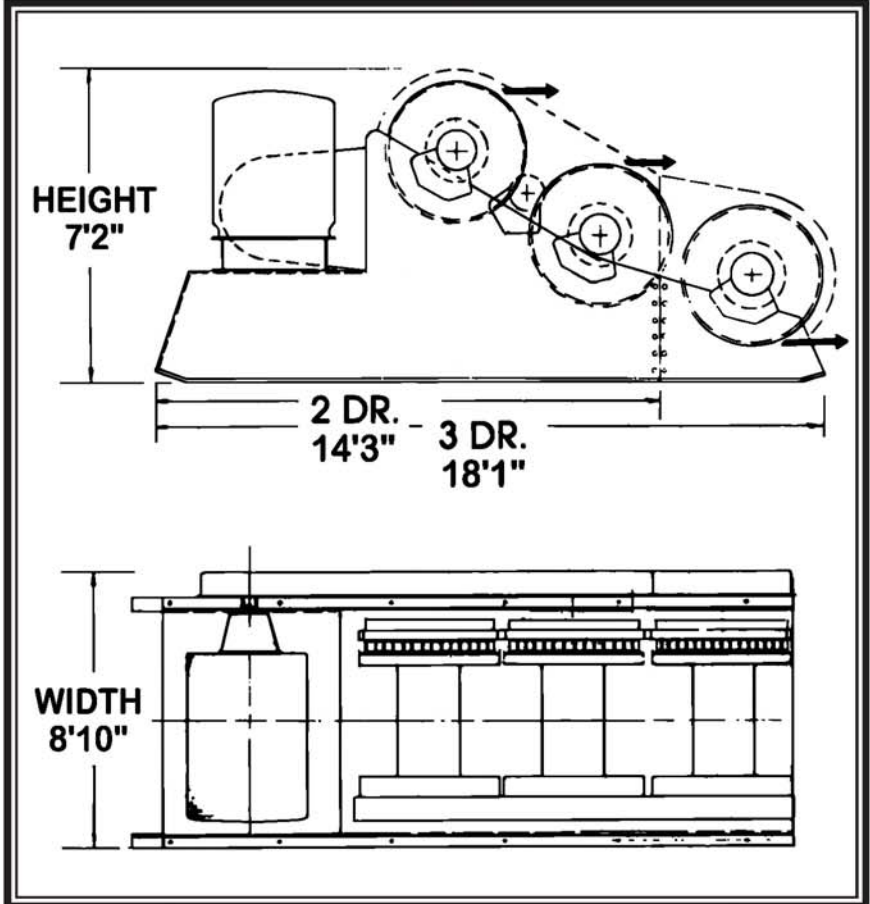


Clyde Frame 8 Specifications (Air Controlled)

Used Diesel Mechanical Rental Winches



• Drum Size

- Flange diameter (inches) 45
- Barrel diameter (inches)..... 20
- Barrel length (inches) 32

• Cable Capacity

- 1 inch (length in feet) 3,400
- 1-1/8 inch (length in feet) 2,690
- 1-1/4 inch (length in feet) 2,180

Using wire rope larger or smaller than what the winch was designed for could cause serious damage to the winch, operator, ratchets & personnel.

• Maximum Cable Size

- Diameter (inches)..... 1-1/4

• Approximate Weight

- Double-drum—standard (pounds) ... 18,200

Performance

Typical single drum line pull in pounds and line speed in feet-per-minute with a Detroit Diesel Model 4:71 driving through an Allison single stage torque converter.

SINGLE DRUM PERFORMANCE			
Efficiency Range	Pitch Diameter		
	1st Layer	Average Drum	Full Drum
80% Eff	27,330 SLP @ 98 FPM	18,020 SLP @ 148 FPM	13,365 SLP @ 208 FPM
70% Eff	32,480 SLP @ 72 FPM	21,415 SLP @ 110 FPM	15,884 SLP @ 147 FPM
Stall	53,500 LBS	36,151 LBS	26,816 LBS

Hoisting / Derrick Service

1st Layer 28,500 lbs. SLP through 13,900 lbs. SLP Full Drum

Note: Line speed and pull performance on our entire rental fleet is estimated on manufacturer specifications. Consult manufacturer for exact line speeds and pulls.

IMPORTANT
Before installation see maintenance and operations manual for additional warnings and precautions.
This equipment is not to be used for lifting supporting or transporting people or lifting or supporting loads over people.

All quotes are subject to product's availability, prior sale or other disposition. All details are believed correct, but without guarantee. Product quoted present location unless otherwise stated above or mutually agreed upon. Price quotes are valid for 10 days unless otherwise stated above. *Standard rental/sale terms and conditions may be viewed on the homepage at our website, www.rasmussenco.com*



RASMUSSEN EQUIPMENT COMPANY

Northwest Office

P.O. Box 81206
Seattle, WA 98108
Phone: (206) 762-3700
Fax: (206) 762-5003
equipmentsales@rasmussenco.com

Mooring Systems • Winches • Cranes • Barges
Anchors • Fairleads • Deckleads • Wire Rope

Sales • Rentals

Gulf Coast Office

2220 Engineers Road
Belle Chasse, LA 70037
Phone: (504) 392-0442
Fax: (504) 392-0107
equipbc@rasmussenco.com