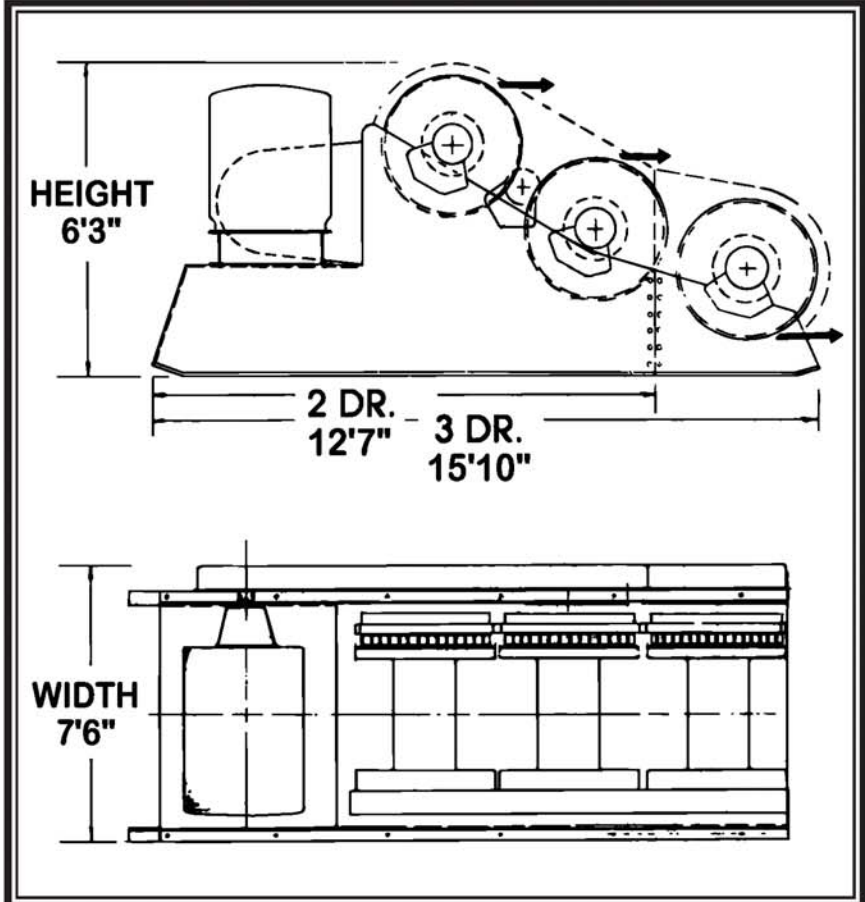


Clyde Frame 7 Specifications (Air Controlled)

Used Diesel Mechanical Rental Winches



• Drum Size

- Flange diameter (inches) 40
- Barrel diameter (inches).....17.5
- Barrel length (inches) 30

• Cable Capacity

- 3/4 inch (length in feet) 4,520
- 7/8 inch (length in feet) 3,310
- 1 inch (length in feet) 2,540

Using wire rope larger or smaller than what the winch was designed for could cause serious damage to the winch, operator, ratchets & personnel.

• Maximum Cable Size

- Diameter (inches)..... 1

• Approximate Weight

- Double-drum—standard (pounds) ... 12,700

Performance

Typical single drum line pull in pounds and line speed in feet-per-minute with a Detroit Diesel Model 4:53 driving through an Allison single stage torque converter.

SINGLE DRUM PERFORMANCE			
Efficiency Range	Pitch Diameter		
	1st Layer	Average Drum	Full Drum
80% Eff	18,500 SLP @ 120 FPM	11,950 SLP @ 186 FPM	8,790 SLP @ 252 FPM
70% Eff	24,370 SLP @ 80 FPM	15,640 SLP @ 125 FPM	11,550 SLP @ 168 FPM
Stall	41,500 LBS	27,305 LBS	20,165 LBS

Hoisting / Derrick Service

1st Layer 21,900 lbs. SLP through 10,700 lbs. SLP Full Drum

Note: Line speed and pull performance on our entire rental fleet is estimated on manufacturer specifications. Consult manufacturer for exact line speeds and pulls.

IMPORTANT
Before installation see maintenance and operations manual for additional warnings and precautions.
This equipment is not to be used for lifting supporting or transporting people or lifting or supporting loads over people.

All quotes are subject to product's availability, prior sale or other disposition. All details are believed correct, but without guarantee. Product quoted present location unless otherwise stated above or mutually agreed upon. Price quotes are valid for 10 days unless otherwise stated above. *Standard rental/sale terms and conditions may be viewed on the homepage at our website, www.rasmussenco.com*



RASMUSSEN EQUIPMENT COMPANY

Northwest Office

P.O. Box 81206
Seattle, WA 98108
Phone: (206) 762-3700
Fax: (206) 762-5003
equipmentsales@rasmussenco.com

Mooring Systems • Winches • Cranes • Barges
Anchors • Fairleads • Deckleads • Wire Rope

Sales • Rentals

Gulf Coast Office

2220 Engineers Road
Belle Chasse, LA 70037
Phone: (504) 392-0442
Fax: (504) 392-0107
equipbc@rasmussenco.com