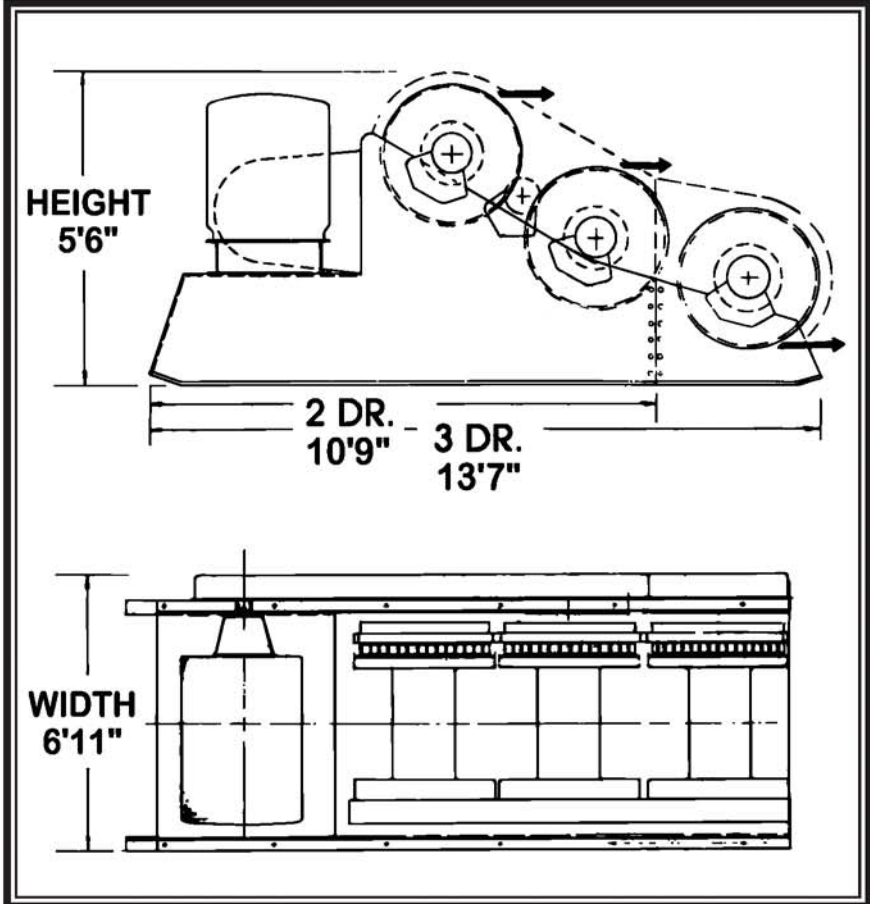


# Clyde Frame 6 Specifications (Air Controlled)

## Used Diesel Mechanical Rental Winches



**• Drum Size**

- Flange diameter (inches) ..... 34
- Barrel diameter (inches)..... 15
- Barrel length (inches) ..... 27

**• Cable Capacity**

- 3/4 inch (length in feet) ..... 2,920
- 7/8 inch (length in feet) ..... 2,150
- 1 inch (length in feet) ..... 1,600

Using wire rope larger or smaller than what the winch was designed for could cause serious damage to the winch, operator, ratchets & personnel.

**• Maximum Cable Size**

- Diameter (inches)..... 1

**• Approximate Weight**

- Double-drum—standard (pounds) .... 9,275

**Performance**

Typical single drum line pull in pounds and line speed in feet-per-minute with a Detroit Diesel Model 3:53 driving through an Allison single stage torque converter.

SINGLE DRUM PERFORMANCE			
Efficiency Range	Pitch Diameter		
	1st Layer	Average Drum	Full Drum
80% Eff	15,162 SLP @ 97 FPM	9,811 SLP @ 149 FPM	7,524 SLP @ 194 FPM
70% Eff	19,823 SLP @ 65 FPM	12,827 SLP @ 99 FPM	9,837 SLP @ 130 FPM
Stall	36,000 LBS	23,480 LBS	18,000 LBS

**Hoisting / Derrick Service**

1st Layer 16,430 lbs. SLP through 8,410 lbs. SLP Full Drum

**Note:** Line speed and pull performance on our entire rental fleet is estimated on manufacturer specifications. Consult manufacturer for exact line speeds and pulls.

**IMPORTANT**

Before installation see maintenance and operations manual for additional warnings and precautions.

This equipment is not to be used for lifting supporting or transporting people or lifting or supporting loads over people.

All quotes are subject to product's availability, prior sale or other disposition. All details are believed correct, but without guarantee. Product quoted present location unless otherwise stated above or mutually agreed upon. Price quotes are valid for 10 days unless otherwise stated above. *Standard rental/sale terms and conditions may be viewed on the homepage at our website, [www.rasmussen.com](http://www.rasmussen.com)*



# RASMUSSEN EQUIPMENT COMPANY

**Northwest Office**  
 P.O. Box 81206  
 Seattle, WA 98108  
 Phone: (206) 762-3700  
 Fax: (206) 762-5003  
[equipmentsales@rasmussen.com](mailto:equipmentsales@rasmussen.com)

Mooring Systems • Winches • Cranes • Barges  
 Anchors • Fairleads • Deckleads • Wire Rope

Sales • Rentals

**Gulf Coast Office**  
 2220 Engineers Road  
 Belle Chasse, LA 70037  
 Phone: (504) 392-0442  
 Fax: (504) 392-0107  
[equipbc@rasmussen.com](mailto:equipbc@rasmussen.com)