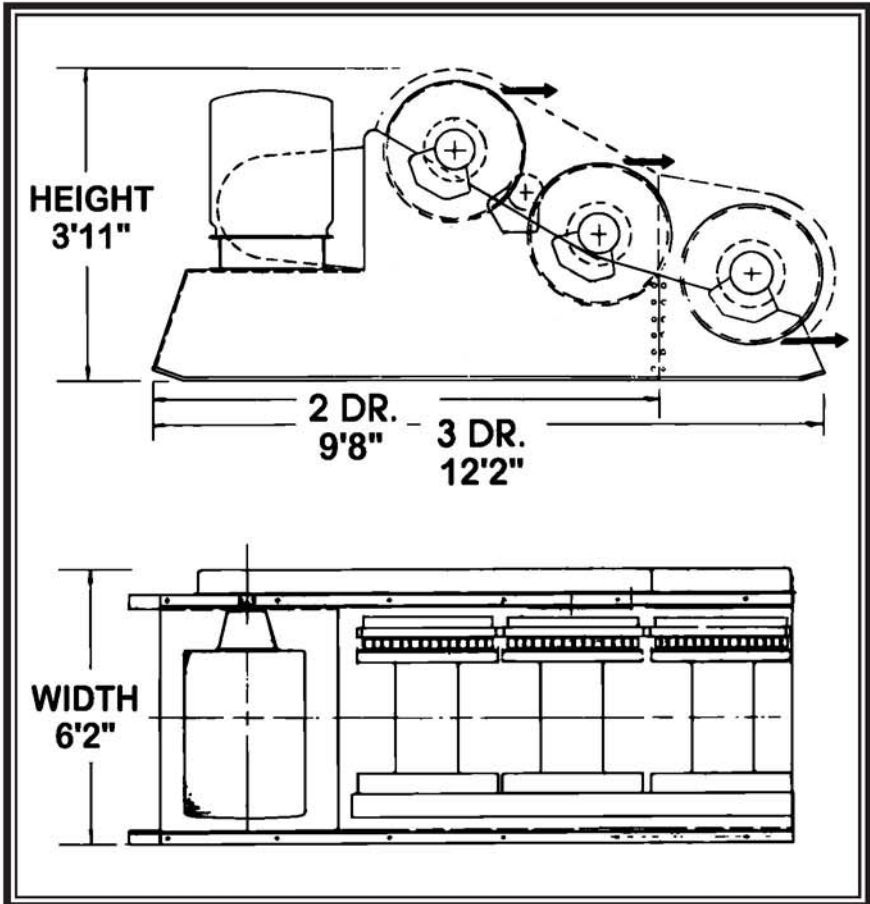


Clyde Frame 5 Specifications (Air Controlled)

Used Diesel Mechanical Rental Winches



• Drum Size

- Flange diameter (inches) 28
- Barrel diameter (inches).....12.5
- Barrel length (inches) 24

• Cable Capacity

- 1/2 inch (length in feet) 3,950
- 5/8 inch (length in feet) 2,520
- 3/4 inch (length in feet) 1,750

Using wire rope larger or smaller than what the winch was designed for could cause serious damage to the winch, operator, ratchets & personnel.

• Maximum Cable Size

- Diameter (inches)..... 3/4

• Approximate Weight

- Double-drum—standard (pounds) 6,375

Performance

Typical single drum line pull in pounds and line speed in feet-per-minute with a Perkins Model 4.236 Diesel Engine driving through an Allison single stage torque converter.

SINGLE DRUM PERFORMANCE			
Efficiency Range	Pitch Diameter		
	1st Layer	Average Drum	Full Drum
80% Eff	9,945 SLP @ 132 FPM	6,508 SLP @ 200 FPM	4,835 SLP @ 270 FPM
70% Eff	13,065 SLP @ 88 FPM	8,550 SLP @ 135 FPM	6,355 SLP @ 180 FPM
Stall	21,500 LBS	14,860 LBS	11,045 LBS

Hoisting / Derrick Service

1st Layer 10,950 lbs. SLP through 5,610 lbs. SLP Full Drum

Note: Line speed and pull performance on our entire rental fleet is estimated on manufacturer specifications. Consult manufacturer for exact line speeds and pulls.

IMPORTANT

Before installation see maintenance and operations manual for additional warnings and precautions.

This equipment is not to be used for lifting supporting or transporting people or lifting or supporting loads over people.

All quotes are subject to product's availability, prior sale or other disposition. All details are believed correct, but without guarantee. Product quoted present location unless otherwise stated above or mutually agreed upon. Price quotes are valid for 10 days unless otherwise stated above. *Standard rental/sale terms and conditions may be viewed on the homepage at our website, www.rasmussen.com*



RASMUSSEN EQUIPMENT COMPANY

Northwest Office

P.O. Box 81206
 Seattle, WA 98108
 Phone: (206) 762-3700
 Fax: (206) 762-5003
equipmentsales@rasmussen.com

Mooring Systems • Winches • Cranes • Barges
 Anchors • Fairleads • Deckleads • Wire Rope

Sales • Rentals

Gulf Coast Office

2220 Engineers Road
 Belle Chasse, LA 70037
 Phone: (504) 392-0442
 Fax: (504) 392-0107
equipbc@rasmussen.com