

**Rasmussen Equipment Company**

8727 5th Ave. S. • P.O. Box 81206 • Seattle, WA 98108

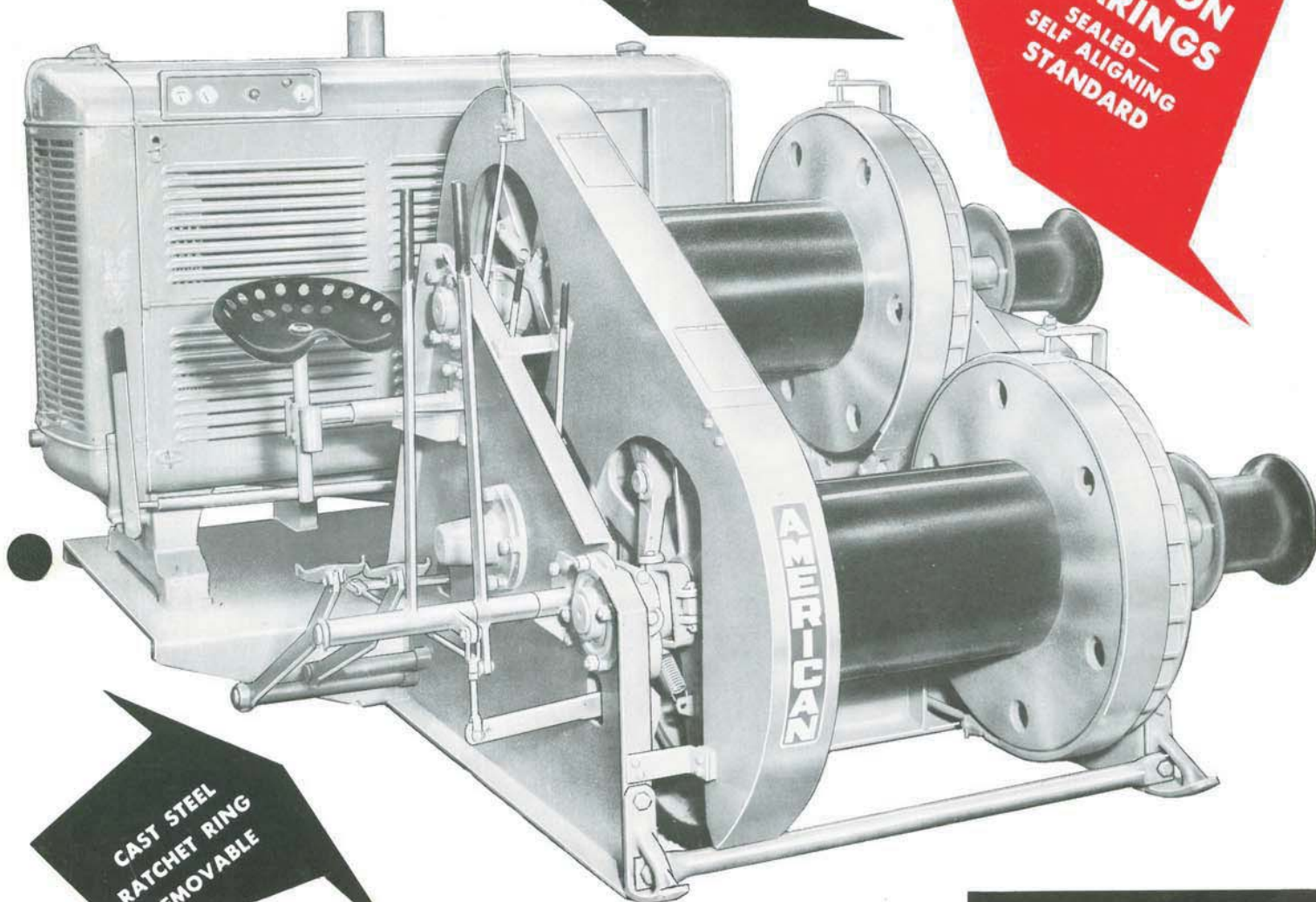
Phone: (206) 762-3700 • Fax: (206) 762-5003

Email: [equipmentsales@rasmussenco.com](mailto:equipmentsales@rasmussenco.com) • [www.rasmussenco.com](http://www.rasmussenco.com)

*Here's* a dependable hoist, designed for hard work—built to last. It's compact with no excess weight to handle, requires little maintenance and because it's so easy to operate will step up work output on any job.

**RIGID  
STRUCTURAL  
STEEL  
BED & SIDE  
FRAMES**

**ANTI-  
FRICTION  
BEARINGS**  
SEALED —  
SELF ALIGNING  
STANDARD

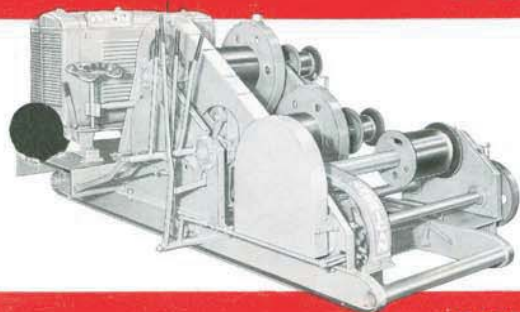


**CAST STEEL  
RATCHET RING  
REMOVABLE**

# AMERICAN GENERAL PURPOSE HOIST

CATALOG NO. 100-H-74

# MODEL 120-B



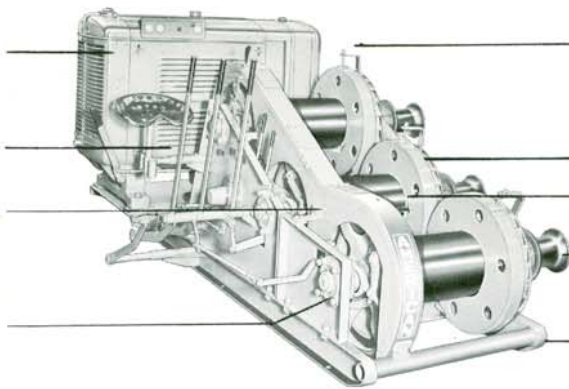
SWINGER FOR BOTH  
TWO AND THREE  
DRUM HOIST

AVAILABLE WITH OR  
WITHOUT POWER

## AMERICAN BUILDS THE HOISTS



GASOLINE OR ELECTRIC POWER  
 GROUPED OPERATOR CONTROLS  
 GEAR GUARDS FOR SAFETY  
 STANDARD ANTI-FRICTION BEARINGS



STANDARD SILENT CHAIN DRIVE  
 REMOVABLE STEEL RATCHET RING  
 BALANCED DRUM  
 WINCH HEAD  
 WELDED STEEL BED AND SIDE FRAMES

# specifications **MODEL 120-B** GENERAL PURPOSE **HOIST**

<b>CAPACITY</b> (on each drum) . . . . .	12,000 lbs. SLP ON SECOND LAYER OF ROPE		
<b>DIMENSIONS</b> . . . . .	<b>Width</b>	<b>Height</b>	<b>Length</b>
Double Drum . . . . .	7' 9"	59"	10' 7"
Three Drum . . . . .	7' 10"	68"	14' 8"
<b>WEIGHT</b> (Less Power) . . . . .			
Double Drum . . . . .	6040 lbs.		
Three Drum . . . . .	9000 lbs.		
<b>ROPE CAPACITY ON DRUMS</b> . . . . .	<b>Dia. of Rope</b>	<b>Work</b>	
	5/8"	2620 ft.	
	3/4"	1884 ft.	

## CONSTRUCTION FEATURES

**BED AND SIDE FRAMES**—Heavy welded steel to easily absorb severest shock—ends formed to permit easy skidding and protect gears when hoist is moved.

**DRIVE**—Silent chain drive from engine. Efficient smooth economical power transmission. Standard—available through leading distributors everywhere.

**SHAFTS**—Heavy alloy steel.

**BEARINGS**—Standard, self aligning, sealed ball, cartridge type . . . require lubrication once a year. Get greatest efficiency possible from your power.

**GEARS**—Drum gears cast steel—machined teeth. Cut steel pinion meshes smoothly. No need to "grind" in on job. Drum gears are interchangeable.

**FRICTION CLUTCHES**—Contracting band—lining of woven asbestos. Easy to adjust or remove for re-lining.

**FRICTION BRAKES**—Contracting band. Brake located on opposite end of drum from clutch for perfect balance and cooler running. Lining of woven asbestos—bands reversible to equalize wear—easy to adjust or remove.

**DRUMS**—Barrels 14" dia., 26" long with 28" flange. Barrels fully machined. Two drums turn in same direction—wind rope in over. Third drum winds rope in under.

**RATCHET AND DOGS**—Cast steel ratchet ring bolted to brake drum easily removed or replaced. Dogs are chisel, compression type. Dog drops out of engagement when load is hoisted. Safest arrangement known.

# AMERICAN HOIST & DERRICK COMPANY

ST. PAUL, MINNESOTA 55107

*Established 1882*

Rasmussen Equipment Company

8727 5th Ave. S. • P.O. Box 81206 • Seattle, WA 98108

Phone: (206) 762-3700 • Fax: (206) 762-5003

Email: equipmentsales@rasmussenco.com • www.rasmussenco.com