

## BALANCED HEAD FAIRLEAD DECK MOUNTED

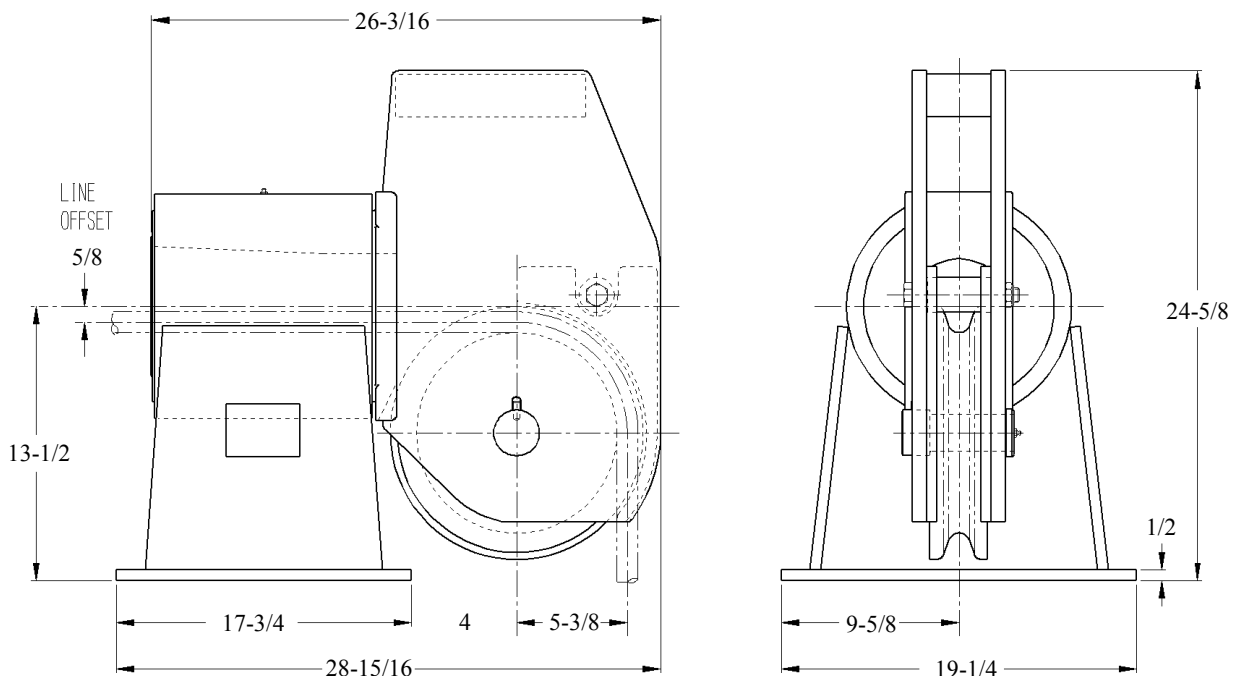
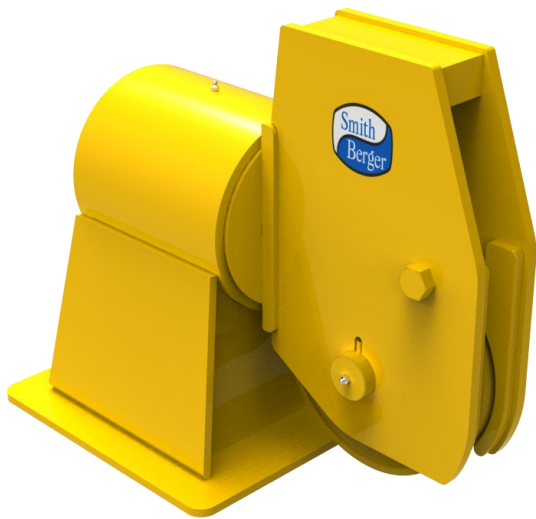
# MD-612

### STANDARD FEATURES

- Designed for Breaking Strength of 1" (26 mm) EIPS Wire Rope, 103,400 LBS, with 90° Wrap on the Sheave and  $\pm 90^\circ$  Rotation of Swivelhead
- Cast Steel Sheave with Hardened Rope Groove for Longer Life
- Sealed Grease Lubricated Tapered Roller Bearings in Sheave and Swivelhead
- Weld Down Mounting Base
- Removable Guide Roller
- Epoxy Primer Coating

### OPTIONAL FEATURES

- Customized Design to Suit Your Application
- Tail Sheaves / Tail Rollers
- Stainless Steel or Nylon Sheaves
- Bolt Down Mounting Base
- Load Monitoring System
- Three Coat Marine Paint System
- Third Party Certification



\* DIMENSIONS SUBJECT TO CHANGE WITHOUT NOTICE\*

## Smith Berger Marine, Inc. - Mooring & Towing Solutions

7915 10<sup>th</sup> Ave. S., Seattle, WA 98108 USA

Tel. 206.764.4650 - Toll Free 888.726.1688 - Fax 206.764.4653

E-mail: [sales@smithberger.com](mailto:sales@smithberger.com) - Web: [www.smithberger.com](http://www.smithberger.com)