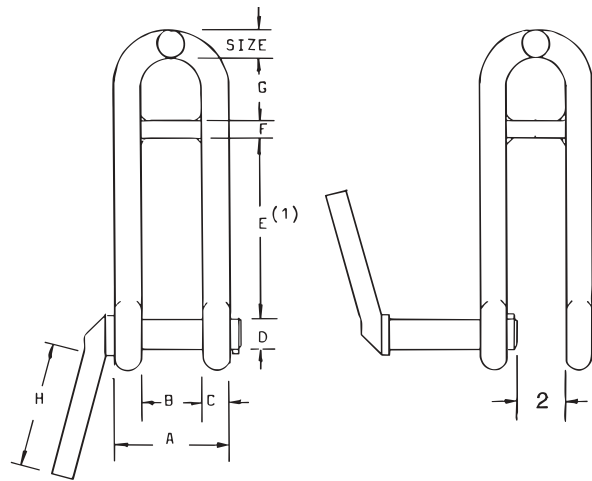
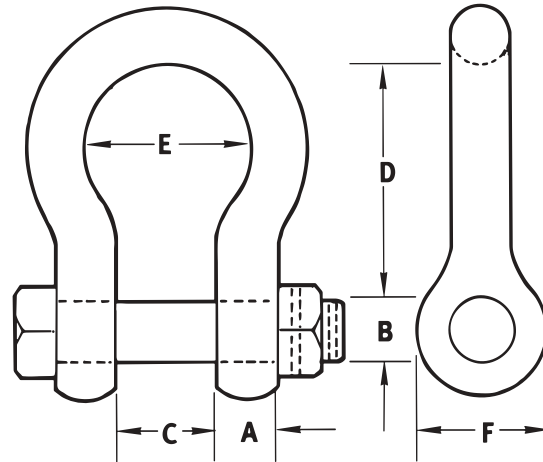


Specialty Shackles



*Size	Opening ²	A	B	C	D	E	F	G	H	Wt (lbs)	SWL ¹ (Tons)
1	1-3/4	4-1/4	2-1/4	1	1-1/8	7 ± 1/4	5/8	2-3/8	5	8	8
1-1/8	1-7/8	4-1/2	2-1/2	1	1-1/4	8 ± 1/2	3/4	3	5	13	10
1-1/4	2	5-1/4	2-3/4	1-1/4	1-3/8	9 ± 1/2	7/8	3	5	18	12
1-1/2	2-1/8	6-1/4	3	1-1/2	1-5/8	10 ± 1/2	1-1/8	3-1/2	6	28	17
1-3/4	2-1/2	7	3-1/2	1-3/4	2	11 ± 1/2	1-1/4	4	7	47	24
2	3	8	4	2	2-1/4	12 ± 3/4	1-3/8	4-1/2	8	63	30

* Dimensions are in inches and weight is in pounds.



*Size (A)	Pin Diameter (B)	Jaw Width (C)	Reach (D)	E	F	WLL Tons	Weight (lbs)
1-3/4	2	2-7/8	7	5	4-1/2	40	23
2	2	3-1/4	7-3/4	5-1/4	4-1/2	44	41
2-1/4	2-1/4	4-1/4	9	5-1/2	5	57	62
2-1/2	2-1/2	4-1/2	10	7-1/4	5-1/2	71	88
2-3/4	2-3/4	4-1/2	11	7-3/4	6	80	112
3	3	4-1/2	13	8	6-1/2	94	133
3	3-1/4	5	13	8-1/2	6-1/2	123	146
3-1/2	3-3/4	5-3/4	15	9	8-1/4	132	250
4	4-1/4	6-1/2	16	11	9	185	358

* Dimensions are in inches and weight is in pounds.