

Skagit G-70 Specifications (Manual Controlled)

Used Diesel Mechanical Rental Winches



• Drum Size

- Flange diameter (inches) 36
- Barrel diameter (inches) 16
- Barrel length (inches) 28

• Cable Capacity

- 3/4 inch (length in feet) 3,380
- 7/8 inch (length in feet) 2,480
- 1 inch (length in feet) 1,900
- 1-1/8 inch (length in feet) 1,500

Using wire rope larger or smaller than what the winch was designed for could cause serious damage to the winch, operator, ratchets & personnel.

• Maximum Cable Size

- Diameter (inches) 1-1/8

• Drum Brake Holding Power

- Maximum pounds on second layer . . . 45,000

• Approximate Weight

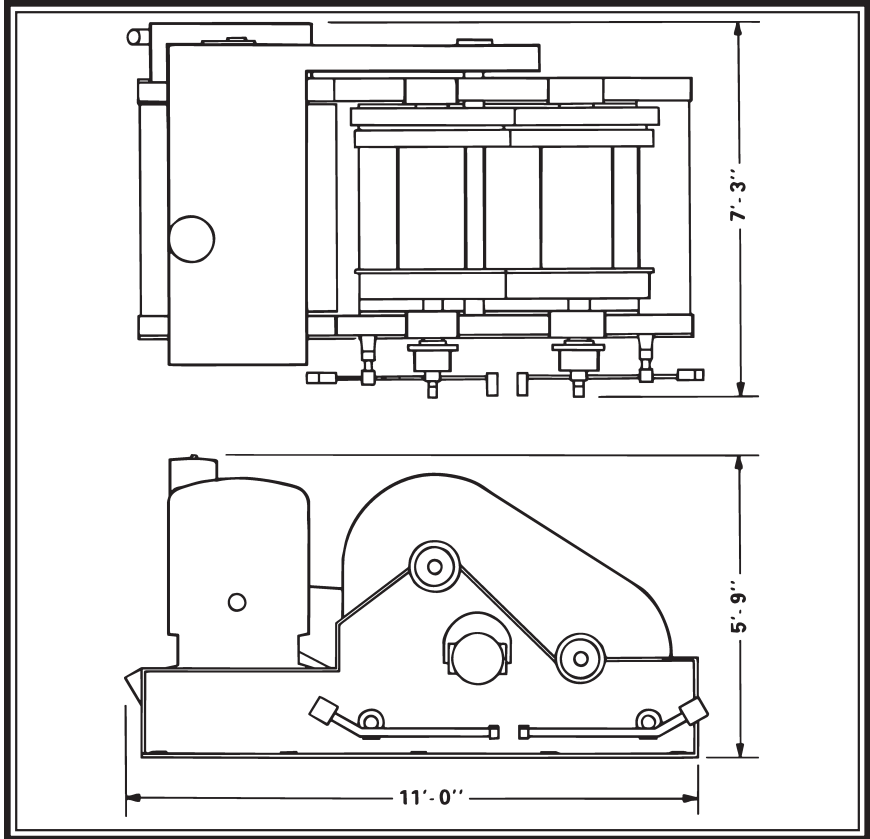
- Double-drum—standard (pounds) . . . 12,600

IMPORTANT

Before installation see maintenance and operations manual for additional warnings and precautions.

This equipment is not to be used for lifting supporting or transporting people or lifting or supporting loads over people.

All quotes are subject to product's availability, prior sale or other disposition. All details are believed correct, but without guarantee. Product quoted present location unless otherwise stated above or mutually agreed upon. Price quotes are valid for 10 days unless otherwise stated above. *Standard rental/sale terms and conditions may be viewed on the homepage at our website, www.rasmussenco.com*



Performance

Typical single drum line pull in pounds and line speed in feet-per-minute with a Detroit Diesel 3-71-HV7 diesel engine driving through a Spicer CM-5052-C transmission with an input ratio of 104/17.

SINGLE DRUM PERFORMANCE			
Drum	Gear	Maximum Pull	Maximum Speed
Bare	1st	30,100 Lbs @ 57 FPM	30,100 Lbs @ 65 FPM
Bare	2nd	22,400 Lbs @ 92 FPM	24,400 Lbs @ 105 FPM
Bare	3rd	12,800 Lbs @ 161 FPM	14,000 Lbs @ 184 FPM
Bare	4th	7,400 Lbs @ 278 FPM	8,100 Lbs @ 317 FPM
Average	1st	19,800 Lbs @ 86 FPM	19,800 Lbs @ 99 FPM
Average	2nd	14,700 Lbs @ 140 FPM	16,100 Lbs @ 160 FPM
Average	3rd	8,400 Lbs @ 244 FPM	9,200 Lbs @ 279 FPM
Average	4th	4,800 Lbs @ 421 FPM	5,300 Lbs @ 482 FPM
Full	1st	14,800 Lbs @ 116 FPM	14,800 Lbs @ 132 FPM
Full	2nd	11,000 Lbs @ 188 FPM	12,000 Lbs @ 214 FPM
Full	3rd	6,200 Lbs @ 328 FPM	6,800 Lbs @ 375 FPM
Full	4th	3,600 Lbs @ 565 FPM	3,900 Lbs @ 646 FPM

Note: Line speed and pull performance on our entire rental fleet is estimated on manufacturer specifications. Consult manufacturer for exact line speeds and pulls.



RASMUSSEN EQUIPMENT COMPANY

Northwest Office

P.O. Box 81206
 Seattle, WA 98108
 Phone: (206) 762-3700
 Fax: (206) 762-5003
equipmentsales@rasmussenco.com

Mooring Systems • Winches • Cranes • Barges
 Anchors • Fairleads • Deckleads • Wire Rope

Sales • Rentals

Gulf Coast Office

2220 Engineers Road
 Belle Chasse, LA 70037
 Phone: (504) 392-0442
 Fax: (504) 392-0107
equipbc@rasmussenco.com