

The new line of Thern TA Series Powered Winches has been developed through extensive customer input and testing. With reliable radial piston air motors and rugged heavy duty construction, these winches are designed for years of dependable operation.

The compact design with planetary reducer inside of the drum allows for the TA Series Winch to be used in tight locations.

TA Series winches are designed to allow for easy modification to suit specific application requirements, these include special drum diameters and lengths, grooved drums, speed changes and special finishes.

Standard options include automatic disc brakes for lifting applications, drum guards, automatic band brakes, and control pendants. Filters, lubricators, regulators, and mufflers available; not mounted or plumbed.

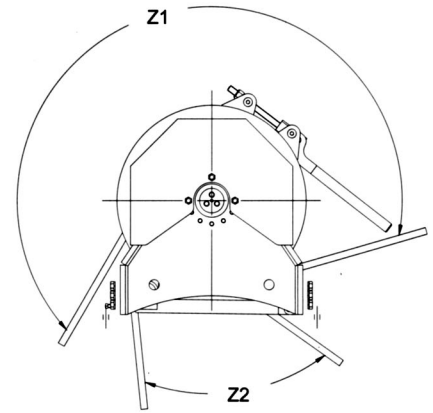
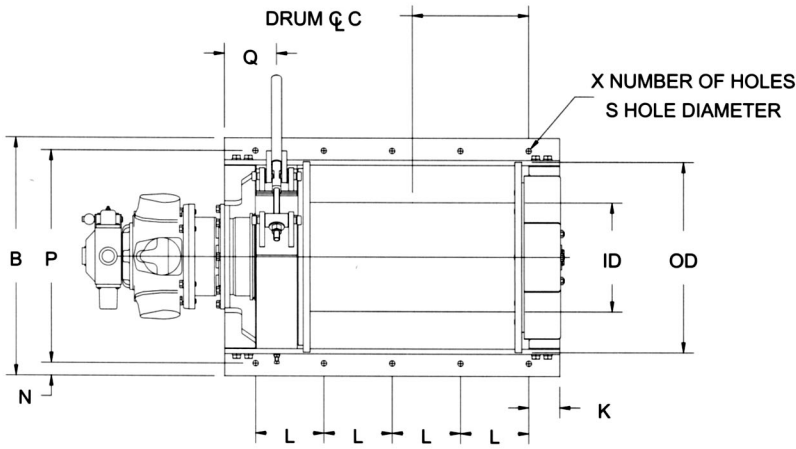


### Standard Winch Features

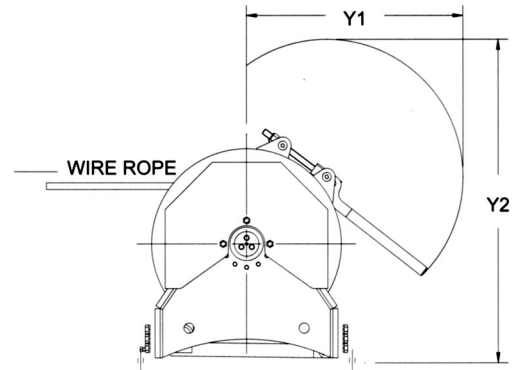
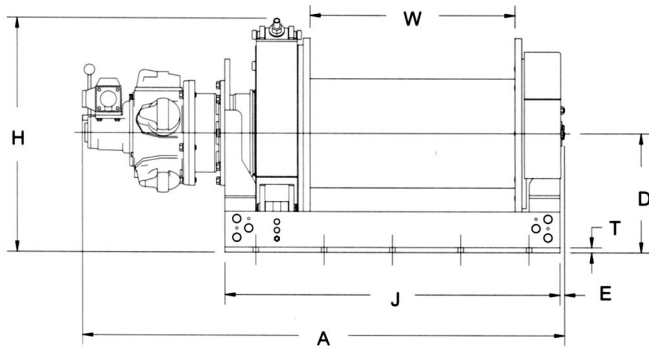
- Welded steel frame and drum.
- Radial piston air motor.
- Minimum 18:1 D:d ratio.
- Meets ASME B30.7 design requirements.
- Manual band brake rated at 150% winch capacity.
- Motor mounted control valve.
- Two year limited warranty.

**Important:** It is the owner's or operator's responsibility to determine the suitability of the equipment to its intended use. Study all applicable codes, manuals and regulations. Be sure to read the Owner's Manual supplied with the equipment before operating it. Thern products are not for lifting people or things over people.

	TA2-24-7200-30	TA2-16-7200-30	TA2.5-24-7200-70	TA2.5-16-7200-70	TA5-30-18000-30	TA7-36-23600-20
Load Rating 1st Layer	7200 lb	7200 lb	7200 lb	7200 lb	18,000 lb	23,600 lb
Load Rating Mid-Drum	5700 lb	5700 lb	5900 lb	5900 lb	14,000 lb	19,000 lb
Load Rating Full Drum	4700 lb	4700 lb	5000 lb	5000 lb	11,500 lb	15,900 lb
Line Speed 1st Layer	30 fpm	30 fpm	69 fpm	69 fpm	27 fpm	19 fpm
Line Speed Mid-Drum	38 fpm	38 fpm	84 fpm	84 fpm	35 fpm	24 fpm
Line Speed Full Drum	46 fpm	46 fpm	100 fpm	100 fpm	42 fpm	29 fpm
Drum Capacity 1st Layer	130 ft	83 ft	110 ft	71 ft	150 ft	120 ft
Drum Capacity Mid-Drum	570 ft	380 ft	390 ft	260 ft	680 ft	520 ft
Drum Capacity Full Drum	1270 ft	850 ft	860 ft	580 ft	1520 ft	1150 ft
Input HP	6.7 hp	6.7 hp	15.7 hp	15.7 hp	15.4 hp	14.4 hp
Max. Stall Pull 1st Layer	9000 lb	9000 lb	11,000 lb	11,000 lb	33,000 lb	38,000 lb
Wire Rope Diameter	.5 in	.5 in	.63 in	.63 in	.75 in	.88 in
Drum Diameter	11.5 in	11.5 in	12.75 in	12.75 in	16 in	20 in
Flange Diameter	20 in	20 in	21 in	21 in	28 in	33 in
Drum Width	24 in	16 in	24 in	16 in	30 in	36 in
Pressure	90 psi	90 psi	90 psi	90 psi	90 psi	90 psi
Flow	250 scfm	250 scfm	550 scfm	550 scfm	550 scfm	550 scfm
Pipe Inlet Size	1 in	1 in	1.5 in	1.5 in	1.5 in	1.5 in
Hose Size	1.25 in	1.25 in	1.5 in	1.5 in	1.5 in	1.5 in
Approx. Ship Weight	1060 lb	975 lb	1700 lb	1615 lb	2700 lb	3900 lb



TYPICAL ALLOWABLE WIRE ROPE TAKEOFF ANGLE



	TA2-24-7200-30	TA2-16-7200-30	TA2.5-24-7200-70	TA2.5-16-7200-70	TA5-30-18000-30	TA7-36-23600-20
A	52.00	44.00	58.00	50.00	71.00	81.00
B	24.00	24.00	24.00	24.00	35.00	38.00
C	13.00	9.50	13.00	9.00	17.50	19.50
D	14.00	14.00	14.00	14.00	17.50	20.00
ID	11.50	11.50	12.75	12.75	16.00	20.00
OD	20.00	20.00	21.00	21.00	28.00	33.00
E	0.56	0.56	0.75	0.75	0.69	1.00
H	26.50	26.50	26.50	26.50	34.50	37.00
J	36.00	28.50	36.00	28.50	49.50	59.00
K	3.13	2.88	3.13	2.88	4.53	7.38
L	10.00	7.50	10.00	7.50	10.00	11.00
N	2.00	2.00	2.00	2.00	1.88	1.88
P	20.00	20.00	20.00	20.00	31.25	34.25
Q	5.25	5.25	5.25	5.25	7.75	9.25
S	0.69	0.69	0.69	0.69	0.81	0.94
T	0.50	0.50	0.50	0.50	0.75	0.75
W	24.00	16.00	24.00	16.00	30.00	36.00
X NUMBER OF HOLES	8	8	8	8	10	10
Y1	20.00	20.00	20.00	20.00	32.50	32.00
Y2	37.00	37.00	37.00	37.00	48.00	51.00
Z1	223	223	228	228	224	210
Z2	34	34	27	27	50	39
BOLT SIZE - GRADE	5/8 - GR8	5/8 - GR8	5/8 - GR8	5/8 - GR8	3/4 - GR8	7/8 - GR8
SHIPPING WEIGHT	1060	975	1700	1615	2700	3900

Thern Incorporated 5712 Industrial Park Road PO Box 347 Winona, MN 55987  
 507.454.2996 1.800.843.7648 fax: 507.454.5282 [www.thern.com](http://www.thern.com) e-mail: info@thern.com