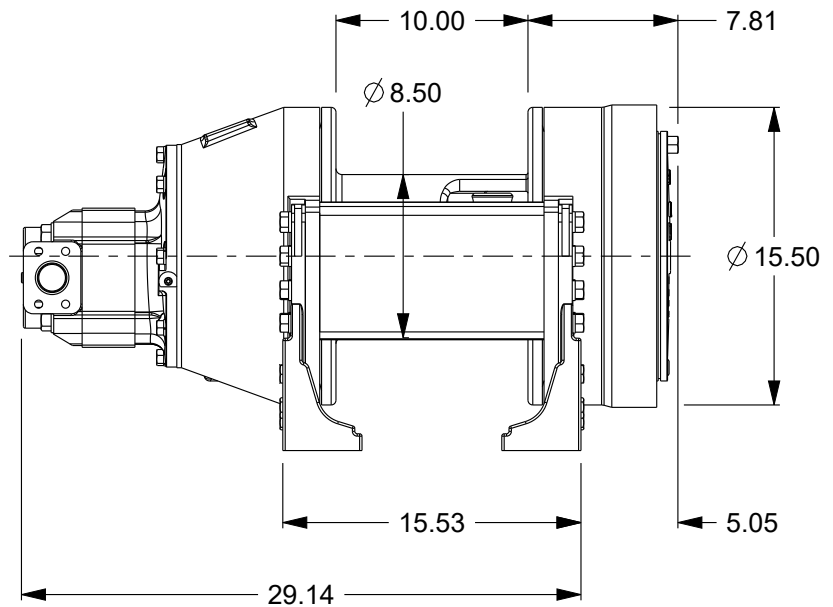
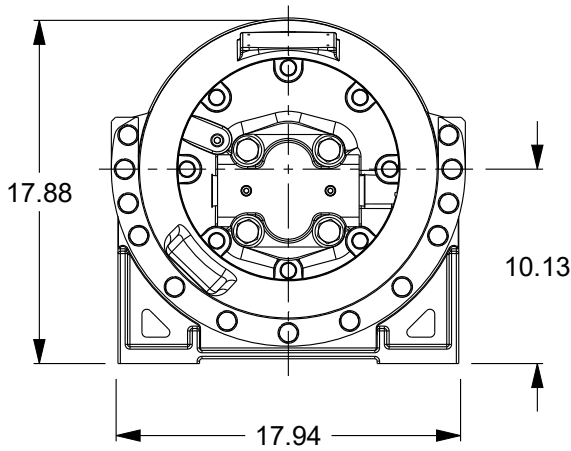
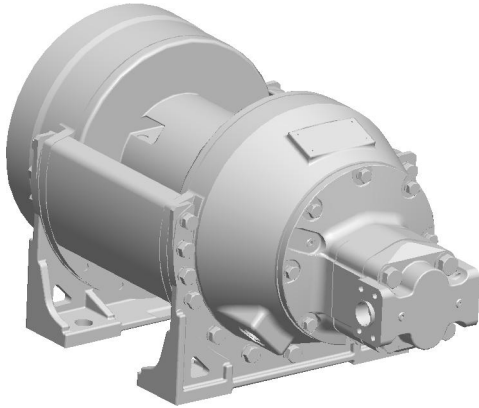


Planetary Winch

Model: M18-3-101-1

Est. Weight: 566 lb



Layer	Rope Capacity (ft)	Linepull (lb)	Linespeed (fpm)
1	32	18000	122
2	70	15500	142
3	113	13600	162
4	161	12100	182

Performance is based on 76 gpm @ 2300 psi with Ø.75" rope (Maximum rope capacity)

The rated line pulls are for the product only. Consult the rope manufacturer for rope ratings.