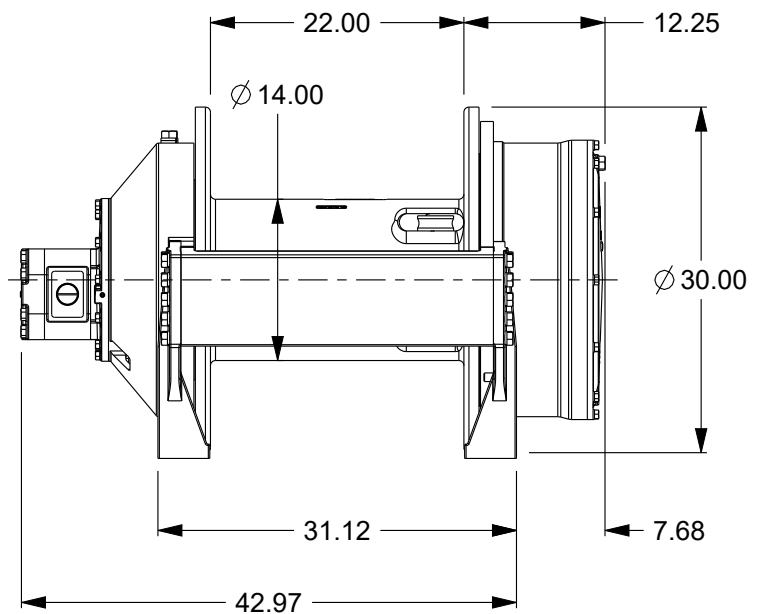
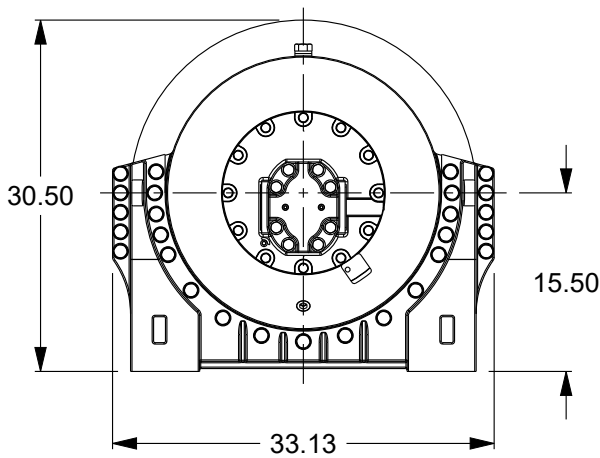
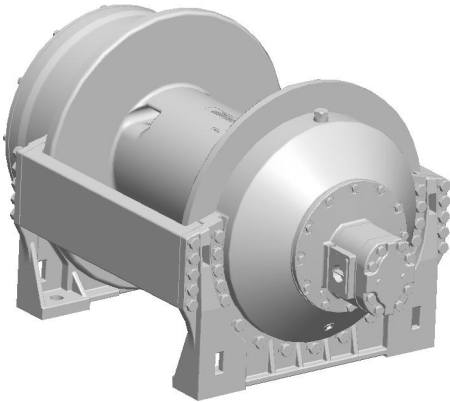


Planetary Winch

Model: H50-3-86-32

Est. Weight: 2301 lb



Layer	Rope Capacity (ft)	Payin		Payout	
		Linepull (lb)	Linespeed (fpm)	Linepull (lb)	Linespeed (fpm)
1	86	50800	68	10878	318
4	415	36300	96	7773	448
8	1010	26300	132	5632	616

Performance is based on 115 gpm @ 2500 psi with Ø.88" rope (Maximum rope capacity)

The rated line pulls are for the product only. Consult the rope manufacturer for rope ratings.

