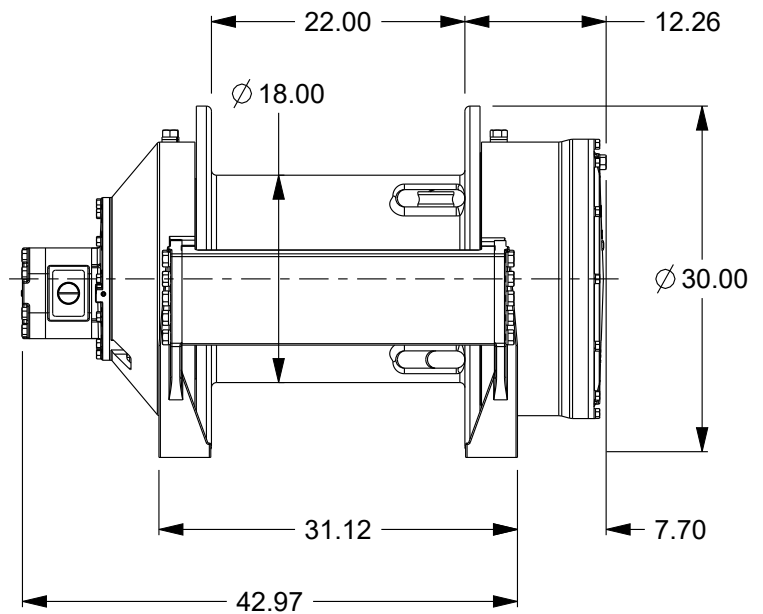
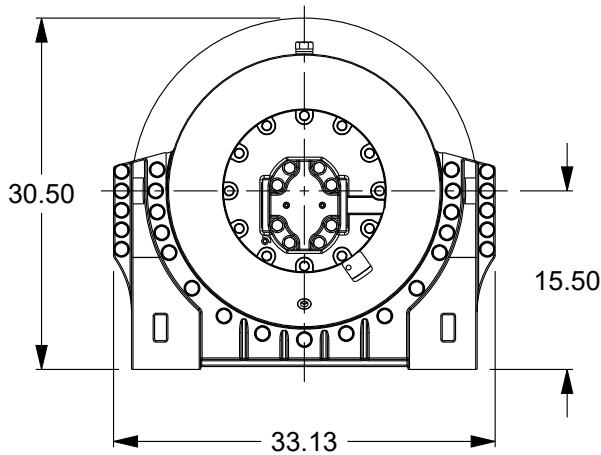
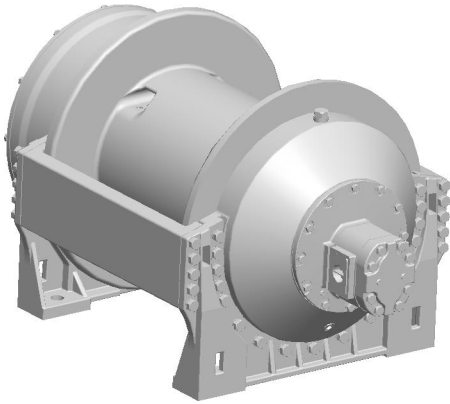


Planetary Winch

Model: H50-3-86-2

Est. Weight: 2107 lb



Layer	Rope Capacity (ft)	Payin		Payout	
		Linepull (lb)	Linespeed (fpm)	Linepull (lb)	Linespeed (fpm)
1	109	40100	87	8587	406
2	230	36300	96	7773	448
3	363	33200	105	7109	490
4	507	30500	114	6531	532
5	662	28200	123	6039	574
6	829	26300	132	5632	616

Performance is based on 115 gpm @ 2500 psi with Ø.88" rope (Maximum rope capacity)

The rated line pulls are for the product only. Consult the rope manufacturer for rope ratings.

