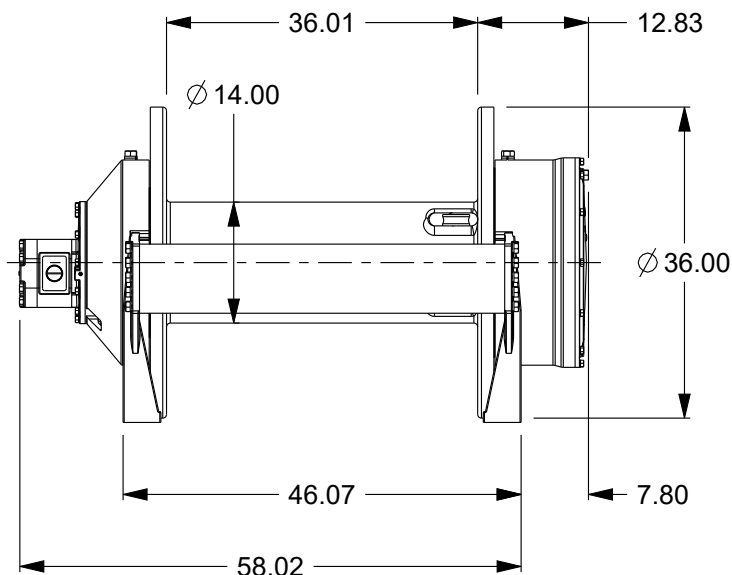
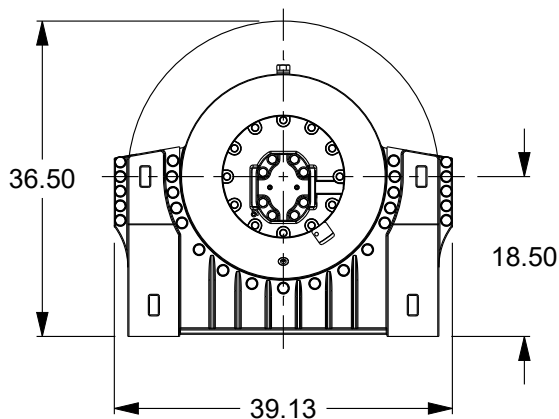
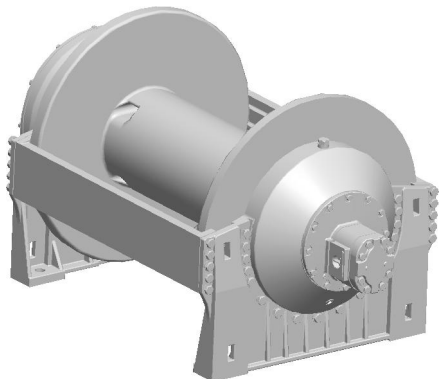


# Planetary Winch

Model: H50-3-86-13

Est. Weight: 3341 lb



Layer	Rope Capacity (ft)	Payin		Payout	
		Linepull (lb)	Linespeed (fpm)	Linepull (lb)	Linespeed (fpm)
1	141	50800	68	10878	318
6	1130	30500	114	6531	532
11	2590	21800	159	4668	743

*Performance is based on 115 gpm @ 2500 psi with Ø.88" rope (Maximum rope capacity)*

**The rated line pulls are for the product only. Consult the rope manufacturer for rope ratings.**

