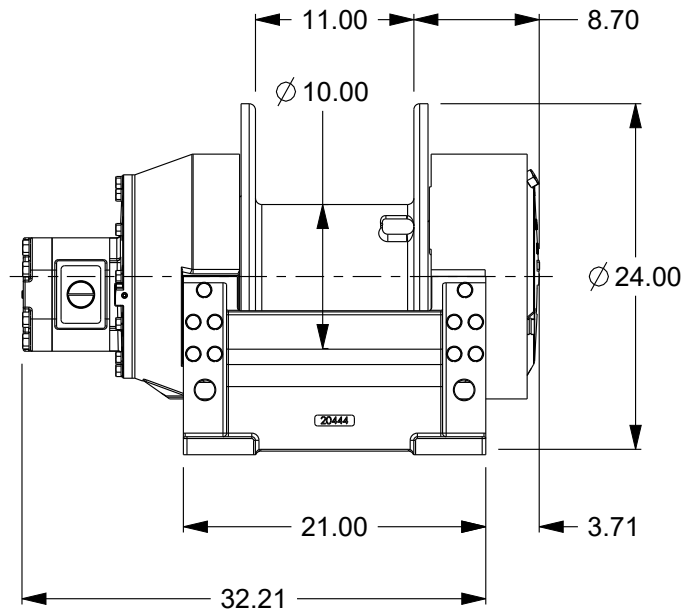
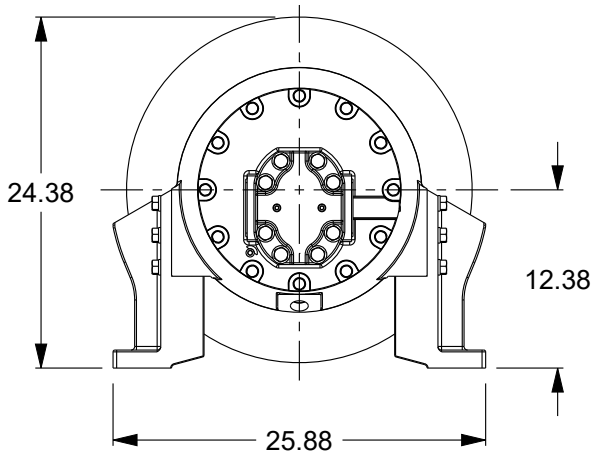
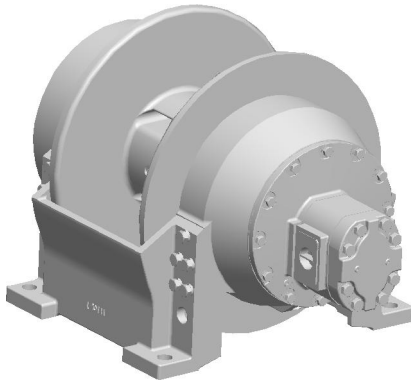


Planetary Winch

Model: H25-7-86-2

Est. Weight: 1037 lb



Layer	Rope Capacity (ft)	Payin		Payout	
		Linepull (lb)	Linespeed (fpm)	Linepull (lb)	Linespeed (fpm)
1	36	25000	140	5353	654
2	77	21500	162	4604	757
3	125	18900	184	4047	859
4	178	16900	207	3619	967
5	237	15200	229	3255	1069
6	301	13900	252	2976	1177
7	371	12700	274	2719	1280
8	448	11800	297	2527	1387

Performance is based on 115 gpm @ 2500 psi with Ø .88" rope (Maximum rope capacity)

The rated line pulls are for the product only. Consult the rope manufacturer for rope ratings.

RENTALS • SALES PARTS • (800) 227-7920 • (206) 762-3700

PACIFIC NORTHWEST • GULF COAST • CALIFORNIA

