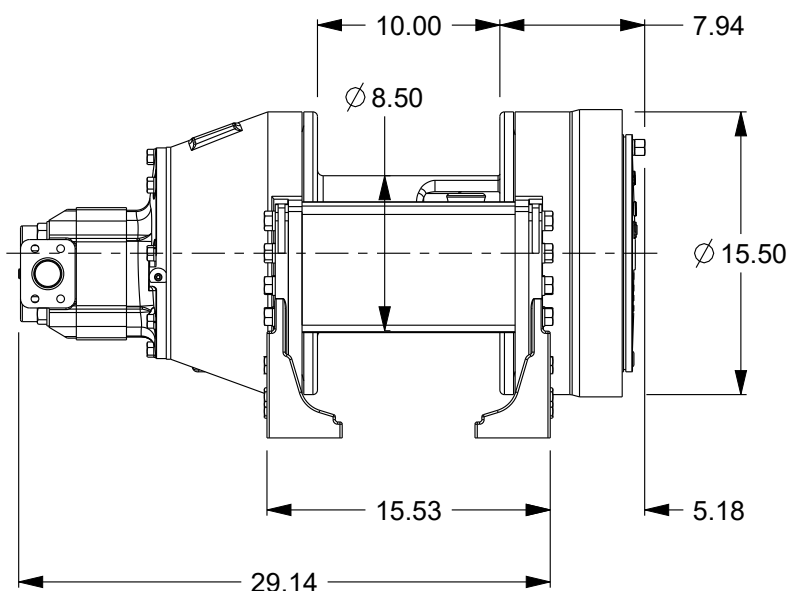
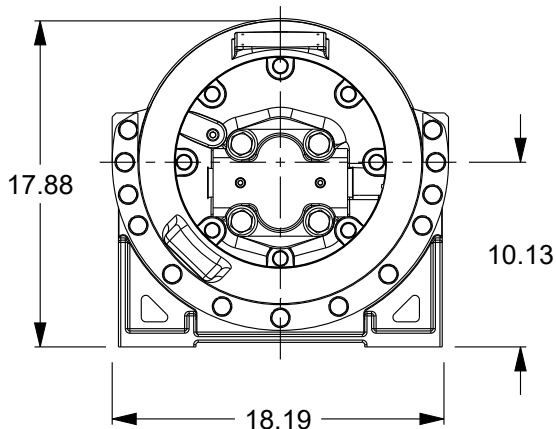
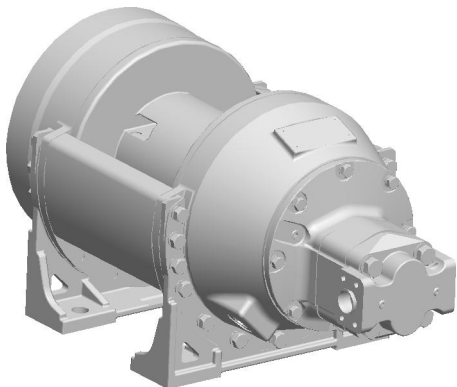


# Planetary Winch

Model: H18-3-101-1

Est. Weight: 766 lb



Layer	Rope Capacity (ft)	Payin		Payout	
		Linepull (lb)	Linespeed (fpm)	Linepull (lb)	Linespeed (fpm)
1	32	18000	122	3913	561
2	70	15500	142	3370	653
3	113	13600	162	2957	745
4	161	12100	182	2630	837

*Performance is based on 76 gpm @ 2300 psi with Ø .75" rope (Maximum rope capacity)*

**The rated line pulls are for the product only. Consult the rope manufacturer for rope ratings.**

