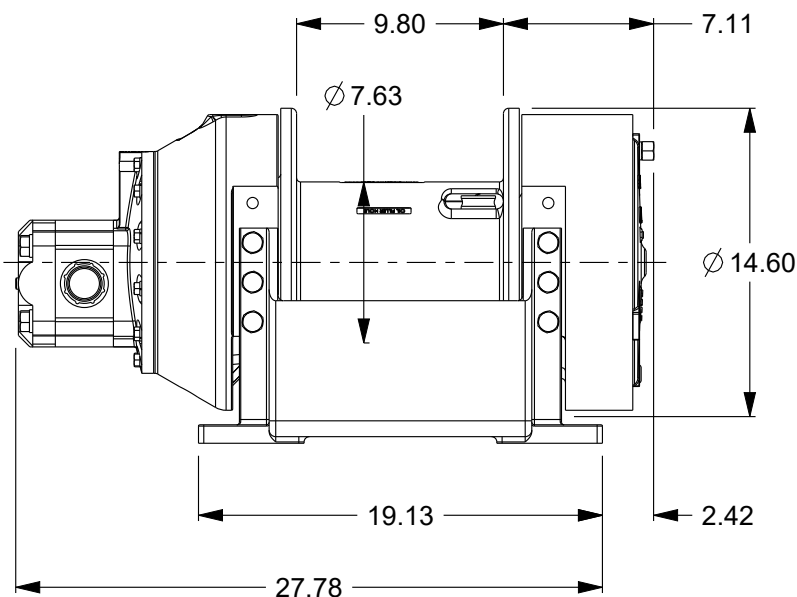
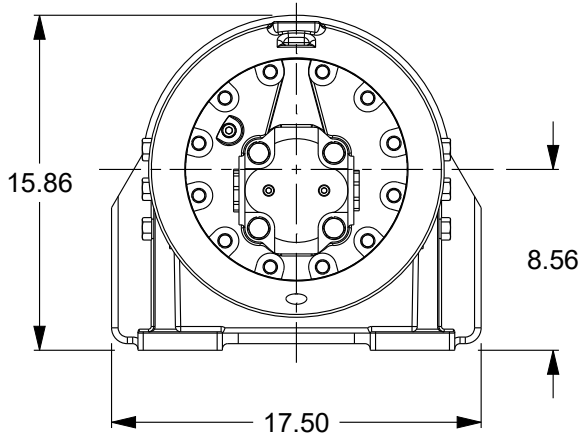
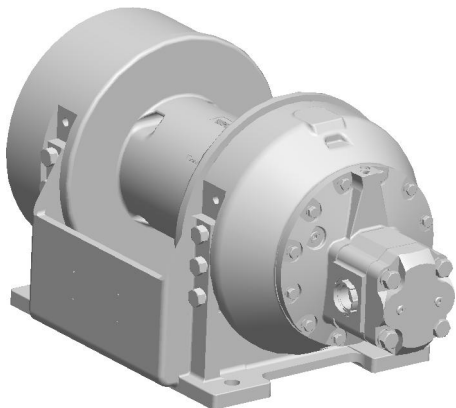


Planetary Winch

Model: H12-3-97-1

Est. Weight: 490 lb



Layer	Rope Capacity (ft)	Payin		Payout	
		Linepull (lb)	Linespeed (fpm)	Linepull (lb)	Linespeed (fpm)
1	35	12100	104	2794	450
2	74	10500	119	2425	515
3	119	9290	135	2145	585
4	170	8320	151	1921	654
5	225	7530	167	1739	723

Performance is based on 50 gpm @ 2200 psi with Ø.63" rope (Maximum rope capacity)

The rated line pulls are for the product only. Consult the rope manufacturer for rope ratings.

