

SNATCH BLOCKS

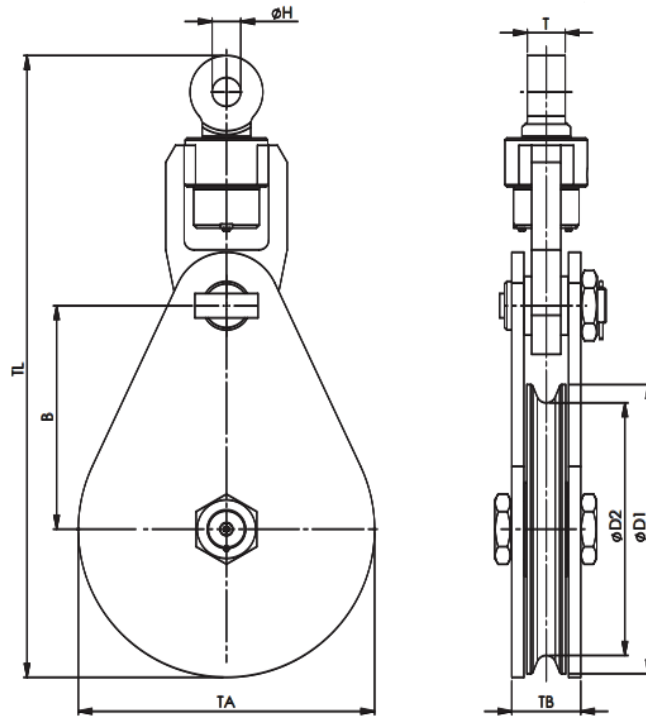
AVAILABLE FOR RENT



ROPEBLOCK

SKOOKUM
Guaranteed Tough Since 1890

McKISSICK



Many more brand and sizing options for sale or rent

Give us a call today to find out your options

ROPE BLOCK MODELS	WORKING LOAD LIMIT (TONS)	WIRE ROPE SIZE (IN)	WEIGHT (LBS)	DIMENSIONS (IN)							
				øD1	øD2	øH	B	T	TA	TB	TL
V.B.240.28.1.20.S	22	1-1/8	115	12	10	1-1/2	10	1-7/8	12-7/32	3-5/16	29
V.B.345.32.1.32.S	35	1-1/4	250	15-3/4	13-5/8	2	12-13/16	2-3/4	16-1/8	4-13/32	37-3/8
V.B.430.38.1.35	40	1-3/8	440	19-1/2	17	2-1/8	15-3/4	2-3/4	20	4-13/16	42-11/16
V.B.520.52.1.55.S	60	1-3/4	685	23-7/16	20-1/2	2-3/8	18-1/8	3-1/8	24	5-5/8	50-7/16
V.B.520.52.1.75S	82.5	2	730	23-7/16	20-1/2	2-7/8	18-1/8	4	24	5-5/8	52-9/16

Note: Common inventory sizes listed above, custom sizes available upon request



SEATTLE, WA

SERVING THE U.S. AND CANADA

BELLE CHASSE, LA

206 * 762 * 3700

RENTALS * SALES * PARTS

504 * 392 * 0442

LINE CARD

A-

- Air Winches
- Alloy Chain Slings
- Anchor Chain
- Anchors
- Anchor Shackles

B-

- Ball Bearings Swivels
- Barge Pusher
- Barge Winches
- Blocks
- Boat Lifting Slings
- Boom Pendant Assemblies
- Buoys

C-

- Cable Clips
- Cable Tensiometer
- Capstans
- Cargo handling
- Cargo Hoisting Blocks
- Chain Hardware
- Clips
- Come-A-Long
- Coupling Links
- Crane Ramps
- Cylinder Buoys

D-

- D-Rings
- Danforth Anchors
- Diesel Mechanical Winches
- Double Braid Nylon
- Double Rig Trawl Blocks

E-

- Electric Hydraulic Power Units
- Electric Winches

Eye Hooks

F-

- Fairleads
- Ferrules
- Fenders
- Flexifloats
- Flex-X Wire Rope
- Foundry Hooks
- Full Side Blocks

G-

- Galvanized Mooring Lines
- General Utility Winch
- Grab Hooks
- Grab Links
- GrabiQ Slings
- Graded Welded Chain Grapples
- Guide Blocks
- Guide Sheaves
- Hand Winches
- Heavy-Duty Blocks
- Heavy-Duty Winches
- Hooks
- Horizontal Guide Sheaves
- Hydraulic Power Units

I-J-K

- Ingersoll-Rand Winches
- Jet Pumps
- Knockdown Blocks
- Lantec Winches
- Lashing Chain & Wire Rope
- Lever Chain Hoist

L-

- Lifting Clamps
- Line Spooler
- Load Cells

Load Levelling Devices

LWT Anchors

M-

- Manilla Rope
- Manual Barge Winch
- Master Links
- Mooring Systems
- Multi-Part Body Wire Rope Slings

N-O-

- Nylon cordage
- Open Sockets
- Overhaul Balls

P-

- Peg Buoys
- Phillystrand Working Rope
- Pike Poles
- Pneumatic & Foam-Filled Fenders
- Pneumatic Winches
- Polyester Web Slings
- Polypropylene Rope
- Poseidon Floats
- Proof Coil Chain
- Pullmaster Hydraulic Winches

R-

- Rafting Dogs
- Release Hooks
- Rotations Resistant Wire Rope
- Rope Slings

S-

- Safety Hooks
- Sectional Barges
- Shackles
- Sheaves
- Sling Hooks
- Slingmax Rigging Products

Slings

Slip Hooks

Snatch Blocks

Sockets

Sorting Hooks

Spreader Beams

Spudwells

Stainless Steel Aircraft Cable

Stern Rollers

Stockless Anchors

Stud Link chain

Swivels

T-

Thern Products

Thimbles

Tommy Moore Blocks

Tow Lines

Tow Winches

Turnbuckles

TwinPath Slings

U-V-

Used Rental Winches

Utility Blocks

Vertical Guide Sheaves

W-

Web Slings

Wedge Sockets

Weld-On Hooks

Welded Chain

Winches

Winch Parts

Wirelock

Wire Rope

Workboat Anchors

Working Ropes