

SEATTLE, WA

SERVING THE U.S. AND CANADA

BELLE CHASSE, LA

206 * 762 * 3700

RENTALS * SALES * PARTS

504 * 392 * 0442

BALANCED HEAD FAIRLEAD (DECK MOUNTED)

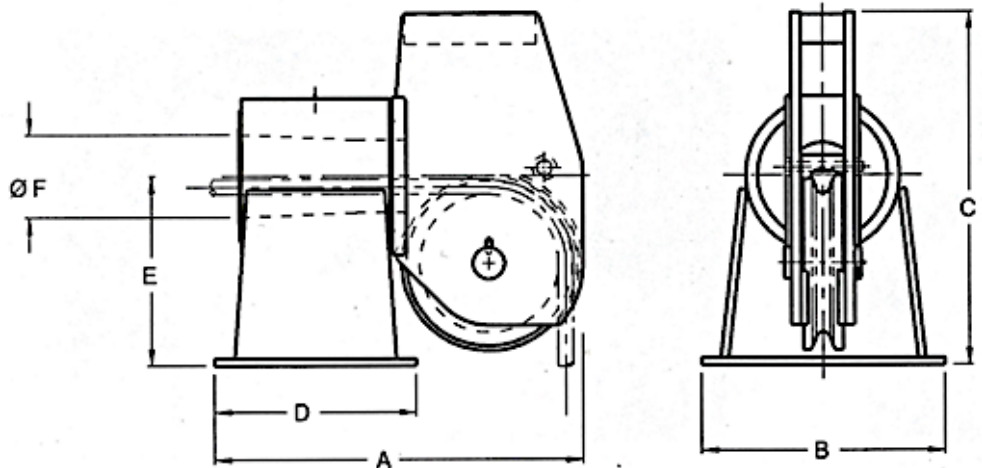
STANDARD FEATURES:

- Designed for the breaking strength of corresponding XIP wire rope diameters
- Cast steel sheave with hardened rope groove for longer life
- Sealed, grease lubricated, tapered roller bearings
- Weld down mounting base
- Removable guide roller
- Epoxy primer coating



OPTIONAL FEATURES:

- Tail sheaves/ tail rollers
- Stainless steel or nylon sheaves
- Bolt down mounting base
- Load monitoring system
- Three coat marine paint system
- Third party certification

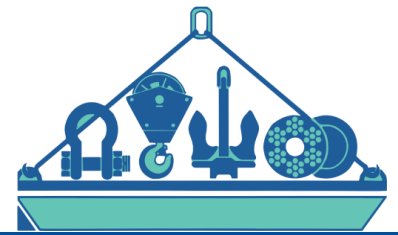


MODEL	SHEAVE DIAMETER (IN)	WIRE SIZE (IN)	DIMENSIONS (IN)						WEIGHT (LBS)
			A	B	C	D	E	F	
MD-610	10	3/4	24-7/16	16	20-1/8	14-3/4	11	4-1/2	270
MD-612	12	1	28-15/16	19-1/4	24-5/8	17-3/4	13-1/2	5-5/8	495
MD-614	14	1-1/4	31-5/16	20	28-1/8	18-1/2	15-1/2	6-5/16	670
MD-618	18	1-1/2	38-3/4	25-1/4	36-1/4	21	19-1/2	8-1/2	1450
MD-624	24	2	50-5/8	30	48-13/16	27	25-1/2	12	2650

Note: Common inventory sizes listed above, custom sizes available upon request

THE BEST SOURCE FOR MARINE EQUIPMENT LIFTING & RIGGING SUPPLIES (EST. 1936)

WWW.RASMUSSENCO.COM * INFO@RASMUSSENCO.COM * 1 * 800 * 227 * 7920



SEATTLE, WA

SERVING THE U.S. AND CANADA

BELLE CHASSE, LA

206 * 762 * 3700

RENTALS * SALES * PARTS

504 * 392 * 0442

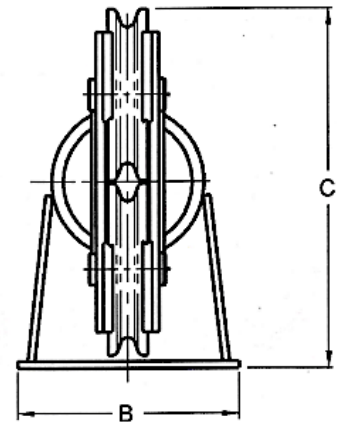
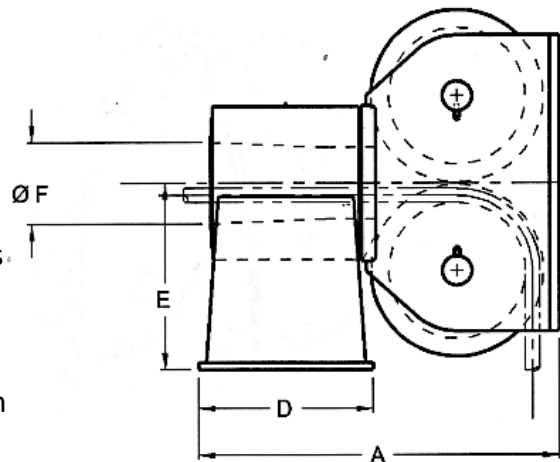
DOUBLE SHEAVE FAIRLEAD (DECK MOUNTED)

STANDARD FEATURES:

- Designed for the breaking strength of corresponding XIP wire rope diameters
- Cast steel sheave with hardened rope groove for longer life
- Sealed, grease lubricated, tapered roller bearings
- Weld down mounting base
- Removable guide roller
- Epoxy primer coating

OPTIONAL FEATURES:

- Tail sheaves/ tail rollers
- Stainless steel or nylon sheaves
- Bolt down mounting base
- Load monitoring system
- Three coat marine paint system
- Third party certification

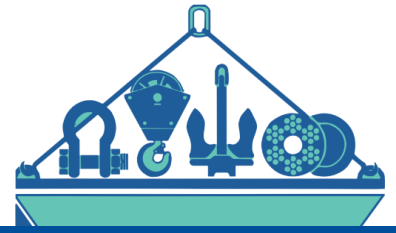


MODEL	SHEAVE DIAMETER (IN)	WIRE SIZE (IN)	DIMENSIONS (IN)						WEIGHT (LBS)
			A	B	C	D	E	F	
MD-2610	10	3/4	24-3/8	16	21-3/16	14-3/4	11	4-1/2	280
MD-2612	12	1	29-1/4	19-1/4	25-5/8	17-3/4	13-1/2	5-5/8	520
MD-2614	14	1-1/4	31-5/16	20	29-5/8	15-1/2	15-1/2	6-5/16	700
MD-2618	18	1-1/2	39-1/2	20-1/4	37-5/8	21	18-3/4	8-1/2	1500
MD-2624	24	2	51-5/8	30	49-5/8	27	25-1/2	12	2800

Note: Common inventory sizes listed above, custom sizes available upon request

THE BEST SOURCE FOR MARINE EQUIPMENT LIFTING & RIGGING SUPPLIES (EST. 1936)

WWW.RASMUSSENCO.COM * INFO@RASMUSSENCO.COM * 1 * 800 * 227 * 7920



SEATTLE, WA

SERVING THE U.S. AND CANADA

BELLE CHASSE, LA

206 * 762 * 3700

RENTALS * SALES * PARTS

504 * 392 * 0442

VERTICAL GUIDE SHEAVE

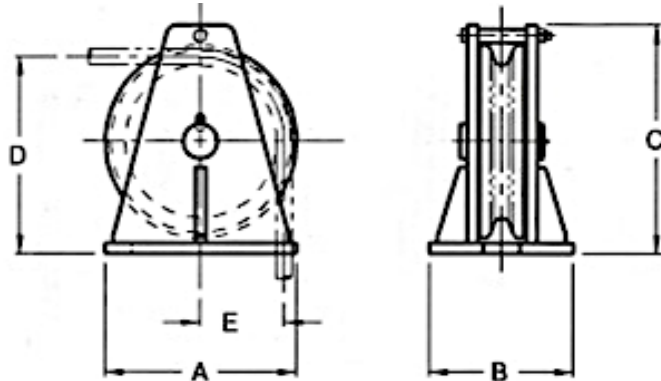
STANDARD FEATURES:

- Designed for the breaking strength of corresponding XIP wire rope diameters
- Cast steel sheave with hardened rope groove for longer life
- Sealed, grease lubricated, tapered roller bearings
- Weld down mounting base
- Epoxy primer coating



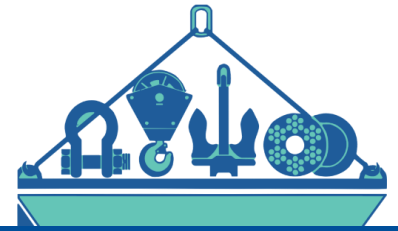
OPTIONAL FEATURES:

- Stainless steel or nylon sheaves
- Bolt down mounting base
- Load monitoring system
- Three coat marine paint system
- Third party certification
- Customized design to suit your application



MODEL	SHEAVE DIAMETER (IN)	WIRE SIZE (IN)	DIMENSIONS (IN)				WEIGHT (LBS)
			A	B	C	D	
MD-1110	10	3/4	11	9	12-1/2	10-1/4	65
MD-1112	12	1	13	11-1/2	14-3/4	12-1/4	105
MD-1114	14	1-1/4	16	12	17-1/2	14-1/2	185
MD-1118	18	1-1/2	18	13-5/8	21-3/8	18-3/8	340
MD-1124	24	2	24	18	29	25-1/4	625

Note: Common inventory sizes listed above, custom sizes available upon request



SEATTLE, WA

SERVING THE U.S. AND CANADA

BELLE CHASSE, LA

206 * 762 * 3700

RENTALS * SALES * PARTS

504 * 392 * 0442

HORIZONTAL GUIDE SHEAVE

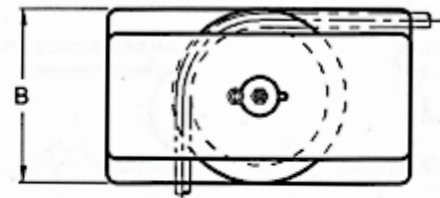
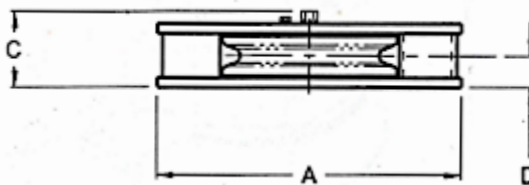
STANDARD FEATURES:

- Designed for the breaking strength of corresponding XIP wire rope diameters
- Cast steel sheave with hardened rope groove for longer life
- Sealed, grease lubricated, tapered roller bearings
- Weld down mounting base
- Epoxy primer coating



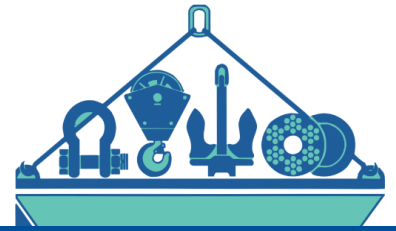
OPTIONAL FEATURES:

- Stainless steel or nylon sheaves
- Bolt down mounting base
- Load monitoring system
- Three coat marine paint system
- Third party certification
- Customized design to suit your application



MODEL	SHEAVE DIAMETER (IN)	WIRE SIZE (IN)	DIMENSIONS (IN)				WEIGHT (LBS)
			A	B	C	D	
MD-1210	10	3/4	17	11	5-3/8	2-3/16	85
MD-1212	12	1	19	12	6-1/2	2-3/4	150
MD-1214	14	1-1/4	21	14	7	2-3/4	200
MD-1218	18	1-1/2	31-1/2	18	8	3-5/16	450
MD-1224	24	2	43	25	9-11/16	3-5/8	975

Note: Common inventory sizes listed above, custom sizes available upon request



SEATTLE, WA

SERVING THE U.S. AND CANADA

BELLE CHASSE, LA

206 * 762 * 3700

RENTALS * SALES * PARTS

504 * 392 * 0442

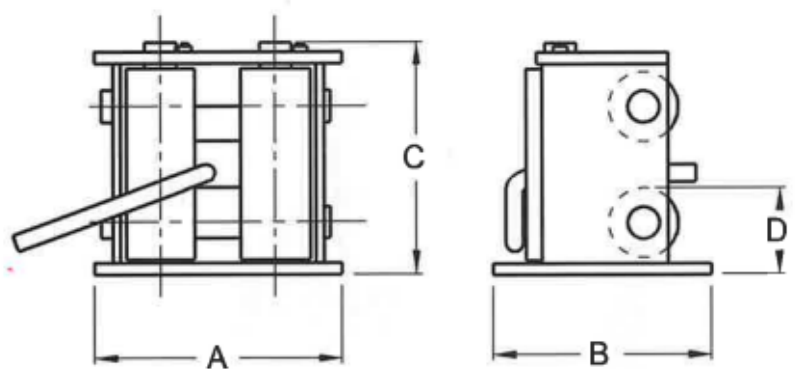
FOUR ROLLER FAIRLEAD

STANDARD FEATURES:

- Designed with a SWL per O.C.I.M.F. Rev. 3 guidelines
- Hardened rollers for longer life
- Grease lubricated bronze bearings
- Epoxy primer coating

OPTIONAL FEATURES:

- Seawater lubricated bearings for underwater use
- Bolt down mounting base
- Three coat marine paint system
- Third party certification
- Customized design to suit your application



MODEL	SWL (MT)	MAX WIRE SIZE (IN)	DIMENSIONS (IN)				WEIGHT (LBS)
			A	B	C	D	
FR4-2	6	1/2	12	5-1/2	10	3-1/4	85
FR4-4	10	3/4	18	9	15	5-1/8	310
FR4-6	40	1-1/4	23-1/2	19	21-1/4	7-1/2	830
FR4-8	70	1-3/4	32	17	27	9-3/8	1800
FR4-10	100	2-1/4	40	21	35	15-1/2	3350

Note: Common inventory sizes listed above, custom sizes available upon request