

SEATTLE, WA

SERVING THE U.S. AND CANADA

BELLE CHASSE, LA

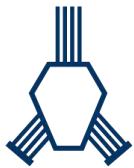
206 \* 762 \* 3700

RENTALS \* SALES \* PARTS

504 \* 392 \* 0442

## SNATCH BLOCKS

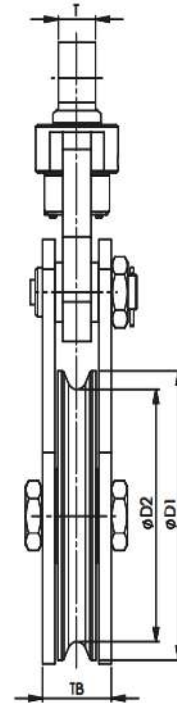
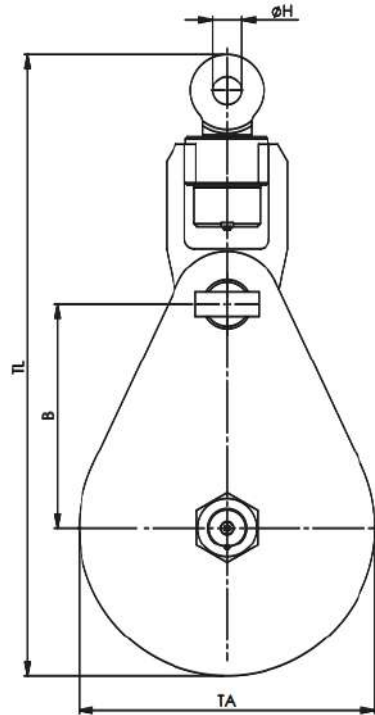
AVAILABLE FOR RENT



**ROPEBLOCK**

**SKOOKUM®**  
Guaranteed Tough Since 1890

**McKISSICK®**



Many more brand and sizing options for sale or rent

Give us a call today to find out your options

MODEL NO.	WORKING LOAD LIMIT (TONS)	WIRE ROPE SIZE (IN)	WEIGHT (LBS)	DIMENSIONS (IN)							
				øD1	øD2	øH	B	T	TA	TB	TL
V.B.240.28.1.20.S	22	1-1/8	115	12	10	1-1/2	10	1-7/8	12-7/32	3-5/16	29
V.B.345.32.1.32.S	35	1-1/4	250	15-3/4	13-5/8	2	12-13/16	2-3/4	16-1/8	4-13/32	37-3/8
V.B.430.38.1.35	40	1-3/8	440	19-1/2	17	2-1/8	15-3/4	2-3/4	20	4-13/16	42-11/16
V.B.520.52.1.55.S	60	1-3/4	685	23-7/16	20-1/2	2-3/8	18-1/8	3-1/8	24	5-5/8	50-7/16
V.B.520.52.1.75S	82.5	2	730	23-7/16	20-1/2	2-7/8	18-1/8	4	24	5-5/8	52-9/16

Note: Common inventory sizes listed above, custom sizes available upon request

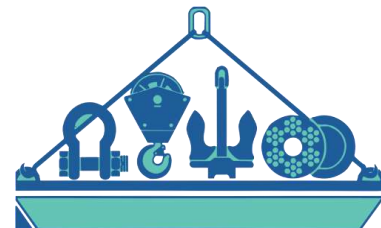
THE BEST SOURCE FOR MARINE EQUIPMENT LIFTING & RIGGING SUPPLIES (EST. 1936)

WWW.RASMUSSENCO.COM \* INFO@RASMUSSENCO.COM \* 1 \* 800 \* 227 \* 7920



# RASMUSSEN®

## EQUIPMENT COMPANY WIRE ROPE & RIGGING



SEATTLE, WA

SERVING THE U.S. AND CANADA

BELLE CHASSE, LA

206 \* 762 \* 3700

RENTALS \* SALES \* PARTS

504 \* 392 \* 0442

## LINE CARD

### A-

Air Winches  
Alloy Chain Slings  
Anchor Chain  
Anchors  
Anchor Shackles

### B-

Ball Bearings Swivels  
Barge Pusher  
Barge Winches  
Blocks  
Boat Lifting Slings  
Boom Pendant Assemblies  
Buoys

### C-

Cable Clips  
Cable Tensiometer  
Capstans  
Cargo handling  
Cargo Hoisting Blocks  
Chain Hardware  
Clips  
Come-A-Long  
Coupling Links  
Crane Ramps  
Cylinder Buoys

### D-

D-Rings  
Danforth Anchors  
Diesel Mechanical Winches  
Double Braid Nylon  
Double Rig Trawl Blocks

### E-

Electric Hydraulic Power Units  
Electric Winches

Eye Hooks

### F-

Fairleads  
Ferrules  
Fenders  
Flexfloats  
Flex-X Wire Rope  
Foundry Hooks  
Full Side Blocks

### G-

Galvanized Mooring Lines  
General Utility Winch  
Grab Hooks  
Grab Links  
GabiQ Slings  
Graded Welded Chain Grapples  
Guide Blocks  
Guide Sheaves  
Hand Winches  
Heavy-Duty Blocks  
Heavy-Duty Winches  
Hooks  
Horizontal Guide Sheaves  
Hydraulic Power Units

### I-J-K

Ingersoll-Rand Winches

Jet Pumps

Knockdown Blocks

### L-

Lantec Winches  
Lashing Chain & Wire Rope  
Lever Chain Hoist  
Lifting Clamps  
Line Spooler  
Load Cells

Load Levelling Devices

LWT Anchors

### M-

Manilla Rope  
Manual Barge Winch  
Master Links  
Mooring Systems  
Multi-Part Body Wire Rope Slings

### N-O-

Nylon cordage  
Open Sockets  
Overhaul Balls

### P-

Peg Buoys  
Phillystrand Working Rope  
Pike Poles  
Pneumatic & Foam-Filled Fenders  
Pneumatic Winches  
Polyester Web Slings  
Polypropylene Rope  
Poseidon Floats  
Proof Coil Chain  
Pullmaster Hydraulic Winches

### R-

Rafting Dogs  
Release Hooks  
Rotations Resistant Wire Rope  
Rope Slings

### S-

Safety Hooks  
Sectional Barges  
Shackles  
Sheaves  
Sling Hooks  
Slingmax Rigging Products

Slings

Slip Hooks

Snatch Blocks

Sockets

Sorting Hooks

Spreader Beams

Spudwells

Stainless Steel Aircraft Cable

Stern Rollers

Stockless Anchors

Stud Link chain

Swivels

### T-

Thern Products

Thimbles

Tommy Moore Blocks

Tow Lines

Tow Winches

Turnbuckles

TwinPath Slings

### U-V-

Used Rental Winches

Utility Blocks

Vertical Guide Sheaves

### W-

Web Slings

Wedge Sockets

Weld-On Hooks

Welded Chain

Winches

Winch Parts

Wirelock

Wire Rope

Workboat Anchors

Working Ropes

THE BEST SOURCE FOR MARINE EQUIPMENT LIFTING & RIGGING SUPPLIES (EST. 1936)

WWW.RASMUSSENCO.COM \* INFO@RASMUSSENCO.COM \* 1 \* 800 \* 227 \* 7920