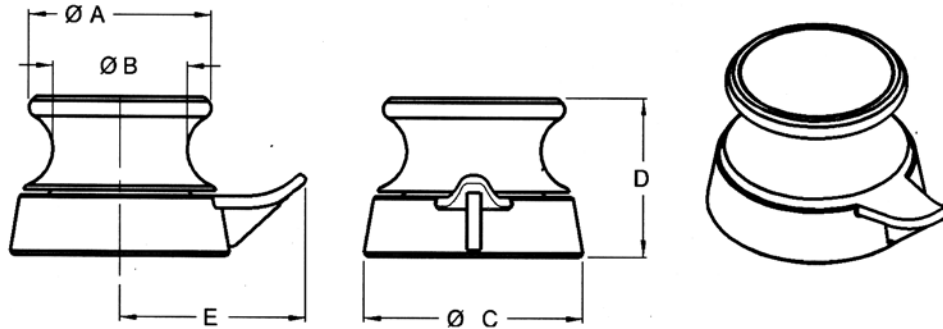




Pedestal Roller Fairleads



Model Number	Units of Measure	Maximum Wire Size	Wire Breaking Strength	A	B	C	D	E	Weight
PFH-10	Inches	3/4	58,800 lbs	14	10	18	16	15	300 lbs
	MM	19	262 kN	356	254	457	406	381	136 Kg
PFH-12	Inches	1	103,400 lbs	16	12	20	16	16	350 lbs
	MM	25	460 kN	406	305	508	406	406	159 Kg
PFH-14	Inches	1- 3/8	192,000 lbs	19	14	23	16- 3/4	19- 5/16	480 lbs
	MM	35	854 kN	483	356	584	425	491	218 Kg
PFH-16	Inches	1- 3/8	192,000 lbs	20- 1/2	16	24	18- 1/4	19-13/16	600 lbs
	MM	35	854 kN	521	406	610	464	503	272 Kg
PFH-18	Inches	1- 1/2	228,000 lbs	24	18	28	19	21	890 lbs
	MM	38	1014 kN	610	457	711	483	533	404 Kg
PFH-24	Inches	2	396,000 lbs	30	24	36	27	24- 1/2	1700 lbs
	MM	51	1762 kN	762	610	914	686	622	771 Kg

Standard Features

- Designed for breaking strength of wire with 180° wrap on roller
- Grease lubricated bronze bearings
- Heat treated roller for longer life
- Weld down base
- Heavy duty cast steel construction
- Smith Berger Quality

Optional Features

- Custom mounting bases
- Paint to your specification
- Special rollers for high performance ropes
- Third party certification

We will custom engineer any of our products to suit YOUR requirements!