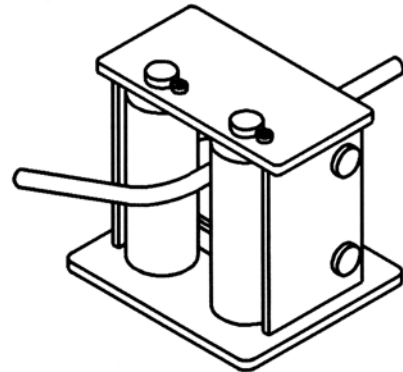
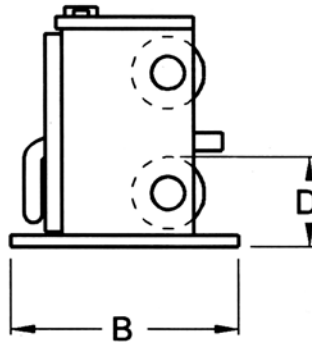
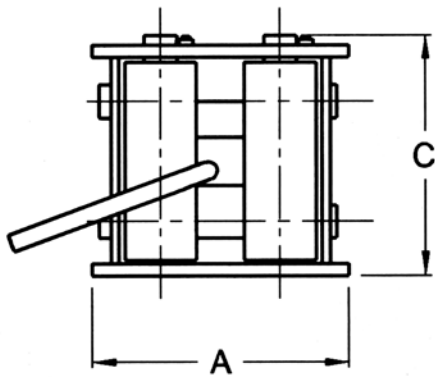




Four Roller Fairleads



Model Number	Units of Measure	Maximum Wire Size	Wire Breaking Strength	Roller Diameter	A	B	C	D	Opening W x H	Weight
FR4-2	Inches	1/2	26,600 lbs	2- 1/2	12	5- 1/2	10	3- 1/4	3 x 3	85 lbs
	MM	13	118 kN	64	305	140	254	83	76 x 76	39 Kg
FR4-4	Inches	3/4	58,800 lbs	4	18	9	15	5- 1/8	4 x 4	310 lbs
	MM	19	262 N	102	457	229	381	130	102 x 102	141 Kg
FR4-6	Inches	1- 1/4	159,800 lbs	6	23- 1/2	19	21- 3/16	7- 1/2	4 x 4	830 lbs
	MM	32	711 kN	152	597	483	538	191	102 x 102	376 Kg
FR4-8	Inches	1- 3/4	306,000 lbs	8	32	17	27	9- 3/8	8 x 8	1800 lbs
	MM	44	1361 kN	203	813	432	686	238	203 x 203	816 Kg
FR4-10	Inches	2- 1/4	494,000 lbs	10	40	21	35	15- 1/2	10 x 6	3350 lbs
	MM	57	2198 kN	254	1016	533	889	394	254 x 152	1516 Kg

Standard Features

- Designed for breaking strength of wire with 45° wrap on roller
- Grease lubricated bronze bearings
- Hardened rollers for longer life
- Weld down base
- Alloy steel shafts
- Smith Berger Quality

Optional Features

- Five, six and seven roller designs
- OCIMF designs
- Stainless steel shafts
- Special rollers for high performance synthetic ropes
- Paint to your specification
- Third party certification

We will custom engineer any of our products to suit YOUR requirements!