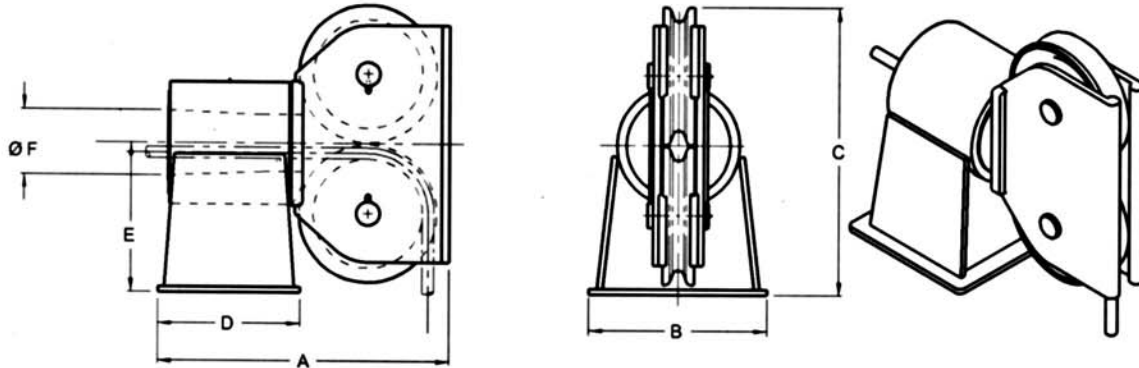




Deck Mounted Double Sheave Fairleads



Model Number	Units of Measure	Maximum Wire Size	Wire Breaking Strength	Sheave Tread Diameter	A	B	C	D	E	F	Weight
MC-2624	Inches	2	344,000 lbs.	20	51- 1/8	30	49- 5/8	27	25- 1/2	12	2800 lbs.
	MM	51	1530 kN	508	1299	762	1260	686	648	305	1270 Kg
MD-2630	Inches	2- 1/4	494,000 lbs.	24- 7/8	57- 7/8	40- 1/4	61- 5/8	27- 1/2	31- 1/2	13	5020 lbs.
	MM	57	2198 kN	632	1470	1022	1565	699	800	330	2277 Kg
MC-2636	Inches	2- 1/2	524,000 lbs.	30	64	40	72- 5/8	27- 1/2	36- 1/4	14- 1/2	6270 lbs.
	MM	64	2331 kN	762	1626	1016	1845	699	921	368	2844 Kg
MD-2652	Inches	3	818,000 lbs.	44	104	52- 3/8	105- 5/8	44	34- 1/2	26- 1/2	17,200 lbs.
	MM	76	3639 kN	1118	2642	1330	2683	1118	876	673	7801 Kg
MD-2665	Inches	3	818,000 lbs.	55- 1/2	117	52- 3/8	130- 5/8	44	34- 1/2	26- 1/2	19,650 lbs.
	MM	76	3639 kN	1410	2972	1330	3318	1118	876	673	8913 Kg

Standard Features

- Designed for breaking strength of wire with 90° wrap on sheave and +/- 90° rotation of swivelhead
- Sealed grease lubricated Timken tapered roller bearings
- Hardened rope grooves for longer life
- Weld down base
- Smith Berger Quality

Optional Features

- Tail Sheaves / Tail Rollers
- Bolt down base
- Load monitoring system
- Special sheaves for high performance synthetic ropes
- Paint to your specification
- Third party certification

*We will custom engineer any of our products to suit **YOUR** requirements!*