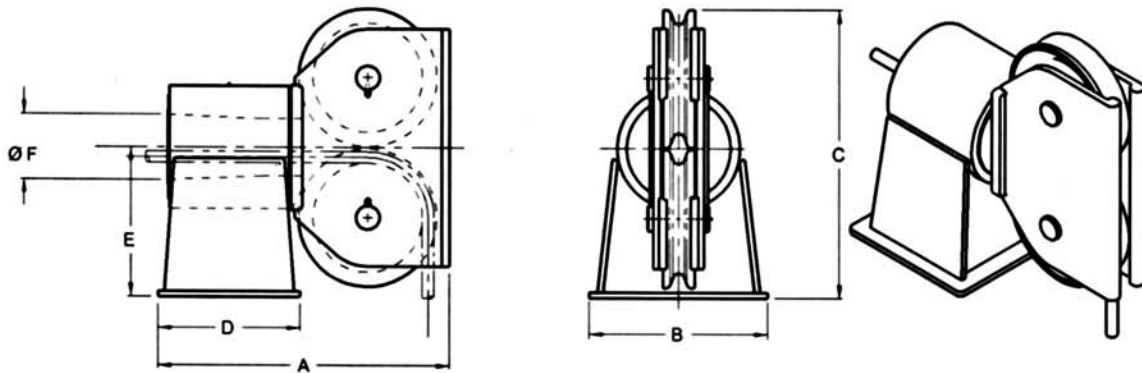




Deck Mounted Double Sheave Fairleads



Model Number	Units of Measure	Maximum Wire Size	Wire Breaking Strength	Sheave Tread Diameter	A	B	C	D	E	F	Weight
MD-2610	Inches	3/4	58,800 lbs.	8- 1/4	24-11/16	16	22	14- 3/4	11	4- 1/2	280 lbs.
	MM	19	262 kN	210	627	406	559	375	279	114	127 Kg
MD-2612	Inches	1	103,400 lbs.	9- 3/4	29- 3/16	19- 1/4	25	17- 3/4	13- 1/2	5- 5/8	520 lbs.
	MM	25	460 kN	248	741	489	635	451	343	143	236 Kg
MD-2614	Inches	1- 1/4	159,800 lbs.	11- 1/4	31- 9/16	20	29	18- 1/2	15- 1/2	6- 5/16	700 lbs.
	MM	32	711 kN	286	802	508	737	470	394	160	318 Kg
MD-2618	Inches	1- 1/2	228,000 lbs.	14- 1/4	39- 1/8	25- 1/4	37- 5/8	21	19- 1/2	8- 1/2	1500 lbs.
	MM	38	1014 kN	362	994	641	956	533	495	216	680 Kg
MC-2622	Inches	1- 3/4	266,000 lbs.	18- 1/2	46- 1/8	28- 1/2	48	22	23- 1/2	9- 1/2	2200 lbs.
	MM	44	1183kN	470	1172	724	1219	559	597	241	998 Kg

Standard Features

- Designed for breaking strength of wire with 90° wrap on sheave and +/- 90° rotation of swivelhead
- Sealed grease lubricated Timken tapered roller bearings
- Hardened rope grooves for longer life
- Weld down base
- Smith Berger Quality

Optional Features

- Tail Sheaves / Tail Rollers
- Bolt down base
- Load monitoring system
- Special sheaves for high performance synthetic ropes
- Paint to your specification
- Third party certification

*We will custom engineer any of our products to suit **YOUR** requirements!*