

VAN BEEST

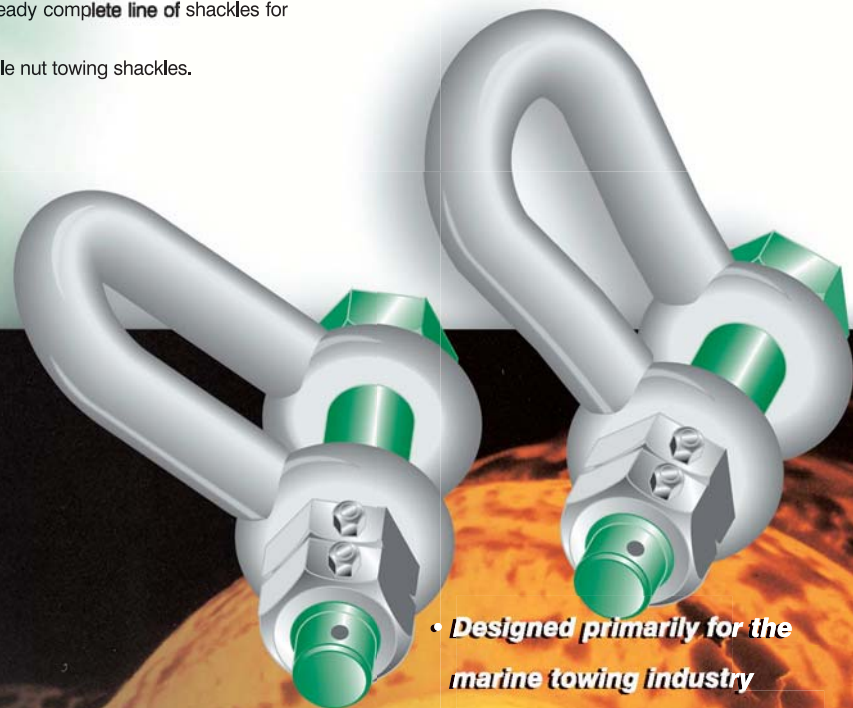


Towmaster

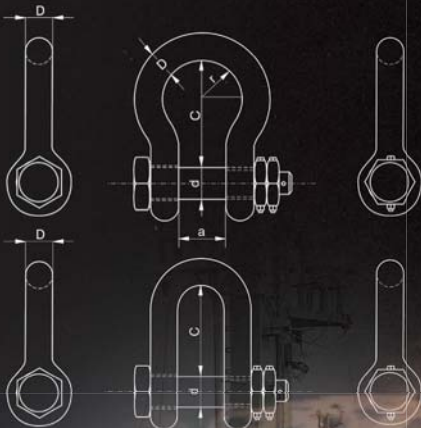
VAN BEEST, a **worldleader** in accessoires for the **steel wire rope and chain industry** since 1922,

located in **Sliedrecht, The Netherlands**, is expanding **it's already complete line of shackles** for

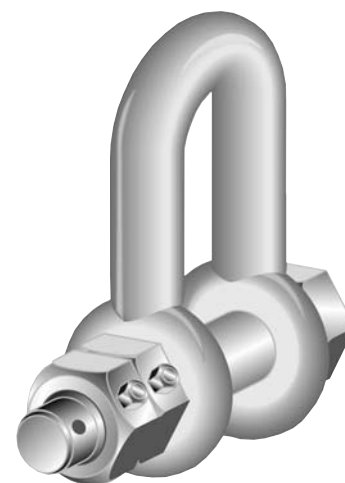
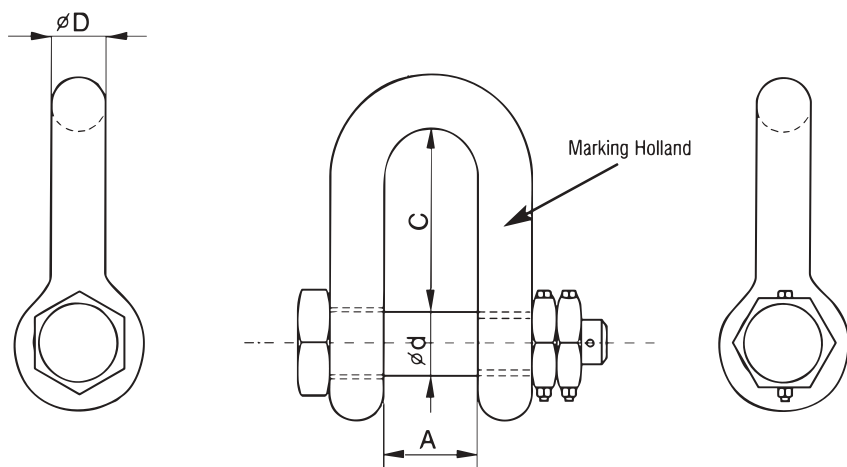
the towing industry, including the new "TOWMASTER" double nut towing shackles.



- **Designed primarily for the marine towing industry**
- **All shackles are A.B.S. certified**
- **Manufactured in both chain and anchor pattern**
- **Double nut application standard to help prevent backing off during vibration type application**
- **Built according to the high standards of VAN BEEST quality that is demanded world wide**
- **Magnetic Particle Inspection**
- **Galvanized finish**
- **Individually tested**

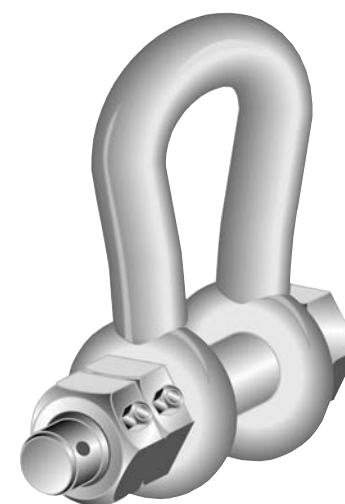
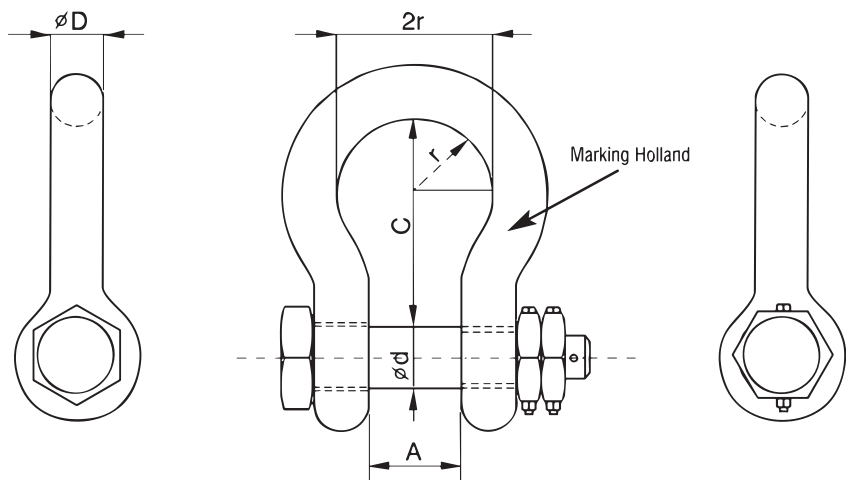


Towing Shackles



Towmaster Chain pattern

WLL	ϕD	ϕd	A	C	Threadsize
44	2"	2"	3-1/4"	6-3/4"	2"
57	2-1/4"	2-1/4"	4-1/4"	7"	2-1/4"
71	2-1/2"	2-1/2"	4-1/2"	10-1/2"	2-1/2"
80	2-3/4"	2-3/4"	4-1/2"	11"	2-3/4"
94	3"	3"	4-1/2"	13"	3"



Towmaster Anchor pattern

WLL	ϕD	ϕd	A	C	2r	Threadsize
44	2"	2"	3-1/4"	6-3/4"	5-1/4"	2"
57	2-1/4"	2-1/4"	4-1/4"	7"	6-1/2"	2-1/4"
71	2-1/2"	2-1/2"	4-1/2"	10-1/2"	7-1/4"	2-1/2"
80	2-3/4"	2-3/4"	4-1/2"	11"	7-3/4"	2-3/4"
94	3"	3"	4-1/2"	13"	8"	3"