



# GrabiQ® Chain Slings

Every link is calibrated & pull tested to 62% of the minimum breaking force.



**Alloy Chain**

Minimum of 20% elongation. Fully hardened and tempered alloy steel.

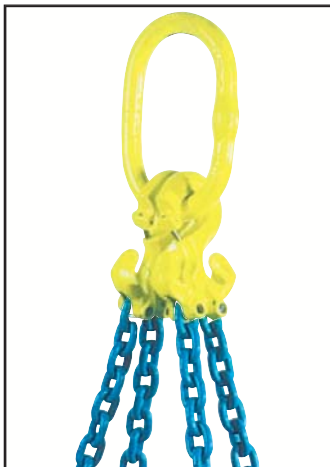
Heat number identification allows full product traceability.



Integrated chain pockets permit shortening or creating leg loops for each leg.



**Oblong Master Link- MF**



Only 3 top-of-the-sling GrabiQ components are needed to fabricate a 4-leg, fully adjustable sling.



Traditional fabrication requires 13 fittings.



**Master Link w/Sub Assembly**



**Mastergrab MG**



**Mastergrab Dual MGD**



**C-Lok Type CL**



**C-Lok Dual Type CLD**



**C-Grab Type CG**



**C-Grab Dual Type CGD**



**BKG Self Locking Hook**



**EGKN Sling Hook**





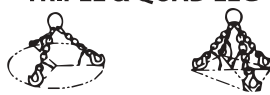
**TGI-CL**



**MGD-BKG**

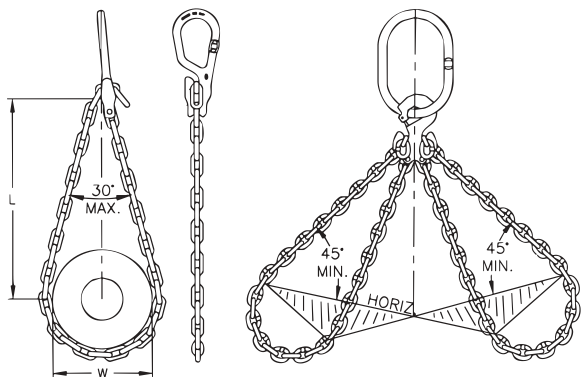




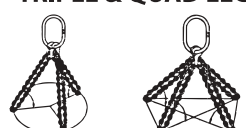
**TABLE 1 - GRABIQ G100 ALLOY STEEL CHAIN SLING  
WORKING LOAD LIMITS\* IN POUNDS - DESIGN FACTOR OF 4**

GUNNEBO G100 CHAIN SIZE		SINGLE LEG 	DOUBLE LEG 				TRIPLE & QUAD LEG 		
MM.	IN.	90°	90° - 60°	90° - 45°	90° - 30°	90° - 60°	90° - 45°	90° - 30°	
8	5/16	5,700	9,900	8,100	5,700	14,800	12,100	8,500	
10	3/8	8,800	15,200	12,400	8,800	22,900	18,700	13,200	
13	1/2	15,000	26,000	21,200	15,000	39,000	31,800	22,500	
16	5/8	22,600	39,100	32,000	22,600	58,700	47,900	33,900	

\*Working Load Limits are valid between temperatures of -40° and 400°F


**GRABIQ G100 ALLOY STEEL CHAIN "LOOP LEG" SLING  
WORKING LOAD LIMITS\* IN POUNDS - DESIGN FACTOR OF 4**



GUNNEBO G100 CHAIN SIZE		SINGLE LEG 	DOUBLE LEG 		TRIPLE & QUAD LEG 	
MM.	IN.	90°	90° - 60°	90° - 45°	90° - 60°	90° - 45°
8	5/16	5,700	9,900	8,100	14,800	12,100
10	3/8	8,800	15,200	12,400	22,900	18,700
13	1/2	15,000	26,000	21,200	39,000	31,800
16	5/8	22,600	39,100	32,000	58,700	47,900

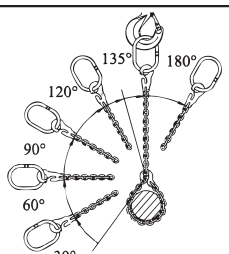
\*Working Load Limits are valid between temperatures of -40° and 400°F


**CHOKED ENDLESS CHAIN SLING WORKING  
LOAD LIMITS\* IN POUNDS - DESIGN FACTOR OF 4**

	GUNNEBO G100 CHAIN SIZE		CHOKED ENDLESS		
	MM.	IN.	90°	90° - 60°	90° - 45°
	8	5/16	8,500	7,400	6,100
10	3/8	13,200	11,400	9,300	
13	1/2	22,500	19,500	15,900	
16	5/8	33,900	29,300	24,000	

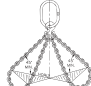
\*Working Load Limits are valid between temperatures of -40° and 400°F

**G100 ALLOY STEEL CHAIN BASKET SLING WORKING  
LOAD LIMITS\* IN POUNDS - DESIGN FACTOR OF 4**


	Choke Angle	Percentage of TABLE 1 WLL
	120 - 180	80%
90 - 119	70%	
60 - 89	60%	
30 - 59	50%	
0 - 29	40%	

GUNNEBO G100 CHAIN SIZE		SINGLE LEG 		
MM.	IN.	90° - 60°	90° - 45°	90° - 30°
8	5/16	9,900	8,100	5,700
10	3/8	15,200	12,400	8,800
13	1/2	26,000	21,200	15,000
16	5/8	39,100	32,000	22,600

		DOUBLE LEG 		
MM.	IN.	90° - 60°	90° - 45°	90° - 30°
8	5/16	14,800	12,100	8,500
10	3/8	22,900	18,700	13,200
13	1/2	39,000	31,800	22,500
16	5/8	58,700	47,900	33,900

\*Working Load Limits are valid between temperatures of -40° and 400°F



●●●●●● ALLOY STEEL CHAIN SLINGS ●●●●●●

⚠ **WARNING**

CHAIN SLING FAILURE CAN CAUSE

DEATH OR INJURY.

SLING FAILURE RESULTS FROM MISUSE, DAMAGE, AND EXCESSIVE WEAR

Protect yourself and others:

- **Never** use a sling without training.
- **Always** inform yourself. Ask your employer for the manufacturer's sling use limitations.
- **Always** comply with applicable Federal and local regulations.
- **Always** know load weight.
- **Never** use a sling without a legible rated load tag.
- **Never** overload a sling.
- **Never** ride on sling or load.
- **Never** use an improper sling configuration.
- **Never** use a worn-out or damaged sling.
- **Never** use a sling in extreme temperatures.
- **Never** use a sling in acidic conditions.